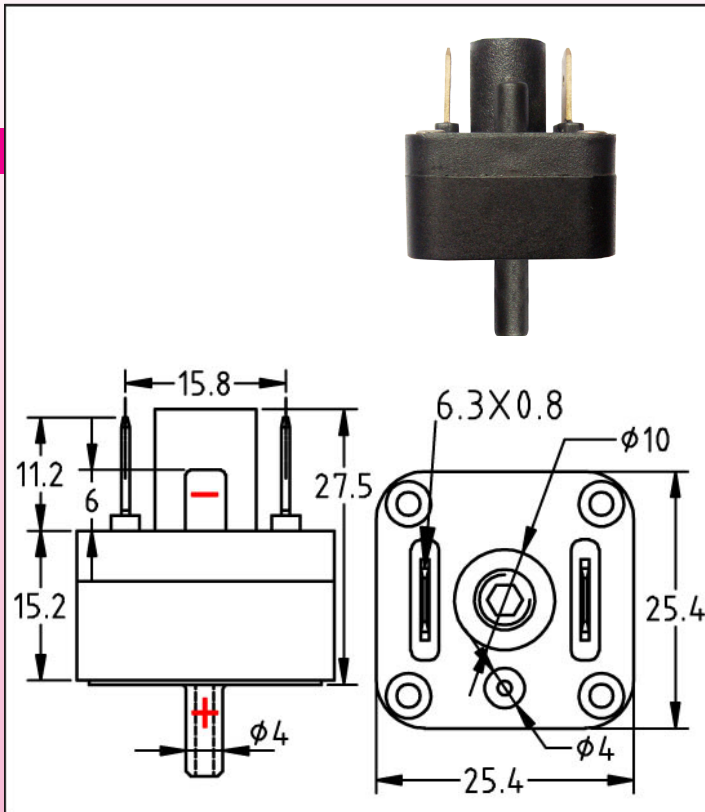


Medium pressure, slow action contact differential pressure switches, 6.35x0.8 mm terminals SPNO contact : Type ZA

DIMENSIONS



Uses: Low voltage, high sensitivity

Main applications: Detection of medium positive, negative or differential pressure. Measurement of liquid levels, water filters efficiency.

Membranes: EPDM, dia 22 mm. Silicone or NBR on request

Fluid: water or air (no liquid input on the negative pressure inlet)

Fitting: two plastic spouts dia 4 mm for soft PVC tube 3x6 mm (1/8"). On request threaded fitting on positive inlet

Pressure: Differential

Housing: PA66, UL94 VO

Contact: single pole normally open, slow action. NC contact is available on request (MOQ)

Electrical rating:

- Silver contact: max 1A 250V

- Gold plated contact: max 100 mA, 24V

Action: momentary, close by pressure rise on positive pressure inlet

Set point calibration: factory calibrated and sealed, not field adjustable

Set point calibration limits: from 10 to 400 mbar

Differential: less than 10 mbar

Electrical connection: two 6.3 x 0.8 mm quick connect terminals

Maximum positive pressure: 1000 mbar (15 PSI)

Maximum negative pressure: minus 500 mbar

Ambient temperature limits: 0 to 85°C

References:

Calibration (mbar)	Silver contact	Gold plated contact
75	ZA2X24EA07500000	ZA2X24EG07500000
100	ZA2X24EA0A000000	ZA2X24EG0A000000
200	ZA2X24EA0B000000	ZA2X24EG0B000000
300	ZA2X24EA0C000000	ZA2X24EG0C000000
400	ZA2X24EA0D000000	ZA2X24EG0D000000