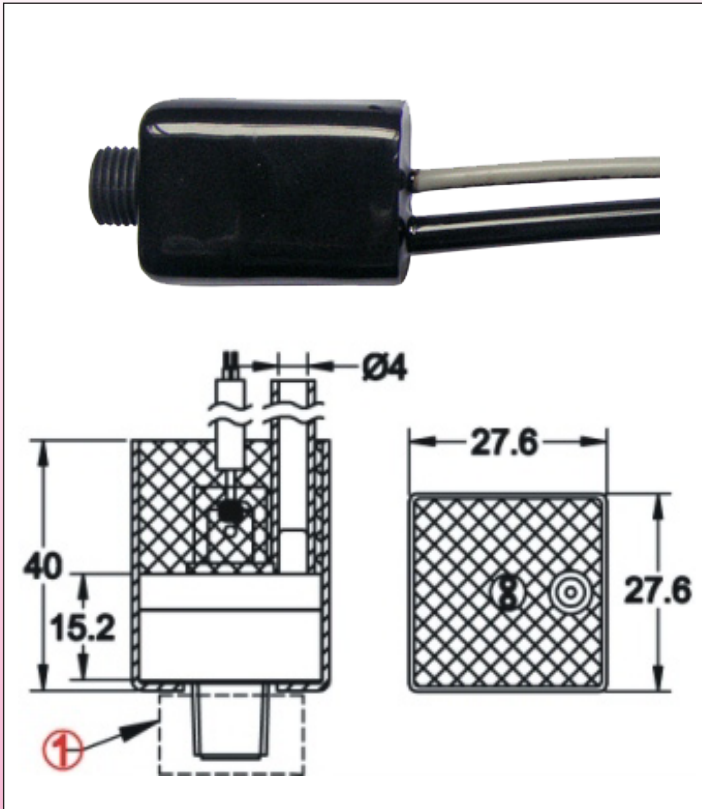


# Medium pressure, slow action contact differential pressure switches , waterproof, IP65 SPNO contact : Type ZC

## DIMENSIONS



**Uses:** Low voltage, high sensitivity . For use in places where IP65 is requested

**Main applications:** Detection of medium positive, negative or differential pressure. Measurement of liquid levels, water filters efficiency.

**Membranes:** EPDM, dia 22 mm. Silicone or NBR on request  
**Fluid:** water or air (no liquid input on the negative pressure inlet)

**Fitting:** soft PVC tube 3x6 mm (1/8") length 200 mm on negative inlet. 4 mm diameter spout or plastic fitting on positive inlet.

**Pressure:** Differential

**Housing:** PA66, UL94 VO, PVC and ABS

**Contact:** single pole normally open, slow action. NC contact is available on request (MOQ)

**Electrical rating:**

- Silver contact: max 1A 250V

- Gold plated contact: max 100 mA, 24V

**Action:** momentary, close by pressure rise on positive pressure inlet

**Set point calibration:** factory calibrated and sealed, not field adjustable

**Set point calibration limits:** from 10 to 400 mbar

**Differential:** less than 10 mbar

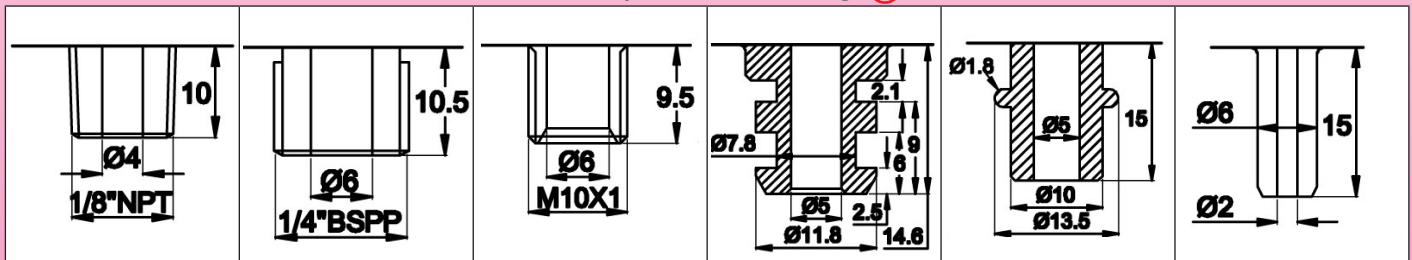
**Electrical connection:** 500 mm cable, AWG24, UL style 2464

**Maximum positive pressure:** 1000 mbar (15 PSI)

**Maximum negative pressure:** minus 500 mbar

**Ambient temperature limits:** 0 to 85°C

### Available pressure inlet fittings ①



### References ( with calibration at 300 mbar):

Pressure inlet	Silver contact	Gold plated contact
1/8" NPT	ZC2X28EA0C000000	ZC2X28EG0C000000
1/4" BSPP	ZC2X2QEA0C000000	ZC2X2QEG0C000000
M10 x 1	ZC2X2MEA0C000000	ZC2X2MEG0C000000
Snap in fitting, 2 grooves dia 7.8	ZC2X2TEA0C000000	ZC2X2TEG0C000000
Snap in fitting, 1 groove dia 10	ZC2X2ZEA0C000000	ZC2X2ZEG0C000000
Snap in fitting, 1 spout dia 6 mm	ZC2X2AEA0C000000	ZC2X2AEG0C000000
4 mm dia spout for 3x6 mm PVC tube	ZC2X24EA0C000000	ZC2X24EG0C000000

Other set point values: replace C00 in the product reference by the requested value in mbar

