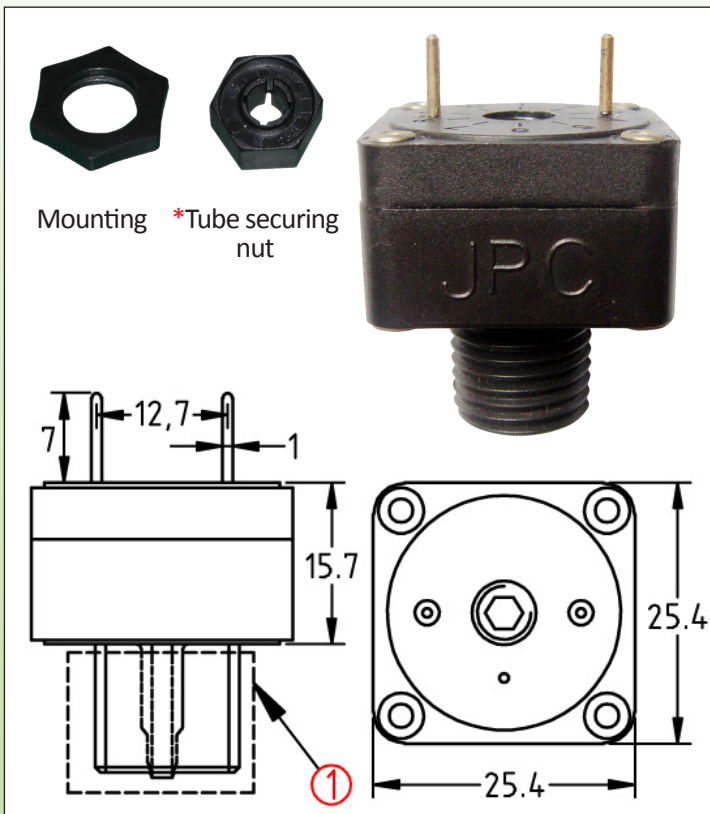


Slow action contact miniature air switches for printed circuit boards with 6.35 mm pitch, SPNO contact : Type ZE

DIMENSIONS



Uses: Low voltage, high sensitivity
Main applications: Electronic printed circuits and remote controls for spa, swimming pools and saunas. This pressure switch is more sensible than snap action models and allows longer tubing distance
Membranes: EPDM, dia 22 mm. Silicone or NBR on request
Fluid: air
Fitting: Plastic spout for 1/8(3mm) or 1/16(1.5mm) ID flexible plastic tubing maximum hardness 70 shore A
Pressure: positive
Housing: PA66, UL94 VO and ABS
Contact: single pole normally open, slow make.
Electrical rating:
 - Silver contact: max 1A 250V
 - Gold plated contact: max 100 mA, 24V
Action: momentary, close on pressure impulse.
Set point calibration: 50mbar, factory calibrated and sealed, not field adjustable. Other values on request
Electrical connection: printed circuit terminal, dia 1 mm, 12.7 mm spacing
Maximum pressure: 2 bars (29 PSI)
Ambient temperature limits: 0 to 85°C
Barometric compensation: groove on 4 mm spout for ¼ NPSM, calibrated orifice on 9/16-18
Caution: This compensation is skipped if using ¼ thread for pressure connection
Mounting fittings: ¼" NPSM or 9/16-18 (2 possible flat positions)
Switch operation: Operates on a sealed pressure air displacement. Do not use pressure transmitters with air input to avoid pumping action.
 Use air transmitters with enough air volume to achieve minimum operating pressure.
Caution: too long connecting tubing and/or too small pressure transmitter will not operate the air switch or will operate it with a momentary action.
Accessories: shipped with plastic nut. Maximum tightening torque with plastic nut is 0.08mkg (0.8Nm).
Recommended value: 0.5 Nm . Stainless steel nut or tube securing nut (*) on request

Available pressure inlet fittings ①	Mounting	*Tube securing nut

References (with calibration at 50 mbar):

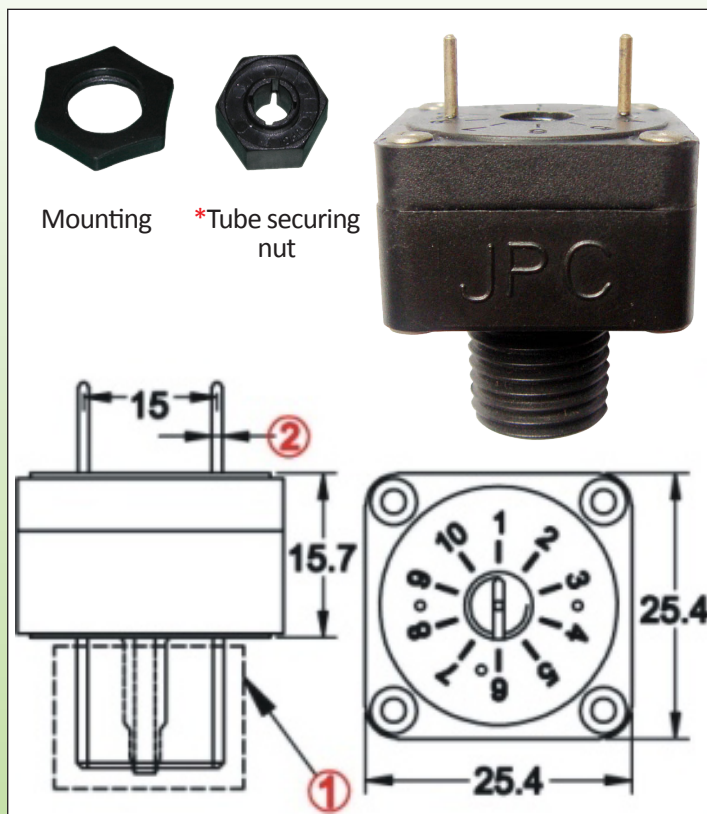
Pressure inlet	Silver contact	Gold plated contact
9/16-18+ spout, 2 flats at 0°, standard nut	ZE2X2UF105000008	ZE2X2UFG05000008
9/16-18+ spout, 2 flats at 90°, standard nut	ZE2X2WF105000008	ZE2X2WFG05000008
1/4 NPSM + spout, standard nut	ZE2X2IF105000006	ZE2X2IFG05000006
9/16-18+ spout, 2 flats at 0°, tube securing nut	ZE2X2UF105000009	ZE2X2UFG05000009
9/16-18+ spout, 2 flats at 90° tube securing nut	ZE2X2WF105000009	ZE2X2WFG05000009
1/4 NPSM + spout, tube securing nut	ZE2X2IF105000007	ZE2X2IFG05000007

Other set point values: replace 050 in the product reference by the requested value in mbar



Slow action contact miniature air switches for printed circuit boards with 5mm pitch, SPNO contact : Type ZE

DIMENSIONS



Uses: Low voltage, high sensitivity
Main applications: Electronic printed circuits and remote controls for spa, swimming pools and saunas. This pressure switch is more sensible than snap action models and allows longer tubing distance
Membranes: EPDM, dia 22 mm. Silicone or NBR on request
Fluid: air
Fitting: Plastic spout for 1/8(3mm) or 1/16(1.5mm) ID flexible plastic tubing maximum hardness 70 shore A
Pressure: positive
Housing: PA66, UL94 VO and ABS
Contact: single pole normally open, slow make.
Electrical rating:
 - Silver contact: max 1A 250V
 - Gold plated contact: max 100 mA, 24V
Action: momentary, close on pressure impulse.
Set point calibration: 50mbar, factory calibrated and sealed, not field adjustable. Other values on request
Electrical connection: printed circuit terminal, dia 1.2 mm, 15 mm spacing
Maximum pressure: 2 bars (29 PSI)
Ambient temperature limits: 0 to 85°C
Barometric compensation: groove on 4 mm spout for ¼ NPSM, calibrated orifice on 9/16-18
Caution: This compensation is skipped if using ¼ thread for pressure connection
Mounting fittings: ¼" NPSM or 9/16-18 (2 possible flat positions)
Switch operation: Operates on a sealed pressure air displacement. Do not use pressure transmitters with air input to avoid pumping action.
 Use air transmitters with enough air volume to achieve minimum operating pressure.
Caution: too long connecting tubing and/or too small pressure transmitter will not operate the air switch or will operate it with a momentary action.
Accessories: shipped with plastic nut. Maximum tightening torque with plastic nut is 0.08mkg (0.8Nm).
Recommended value: 0.5 Nm . Stainless steel nut or tube securing nut (*) on request

Available pressure inlet fittings ①	Mounting	*Tube securing nut

References (with calibration at 50 mbar):

Pressure inlet	Silver contact	Gold plated contact
9/16-18+ spout, 2 flats at 0°, standard nut	ZE2X2UL105000008	ZE2X2ULG05000008
9/16-18+ spout, 2 flats at 90°, standard nut	ZE2X2WL105000008	ZE2X2WLG05000008
1/4 NPSM + spout, standard nut	ZE2X2IL105000008	ZE2X2ILG05000008
9/16-18+ spout, 2 flats at 0°, tube securing nut	ZE2X2UL105000009	ZE2X2ULG05000009
9/16-18+ spout, 2 flats at 90° tube securing nut	ZE2X2WL105000009	ZE2X2WLG05000009
1/4 NPSM + spout, tube securing nut	ZE2X2IL105000009	ZE2X2ILG05000009

Other set point values: replace 050 in the product reference by the requested value in mbar

