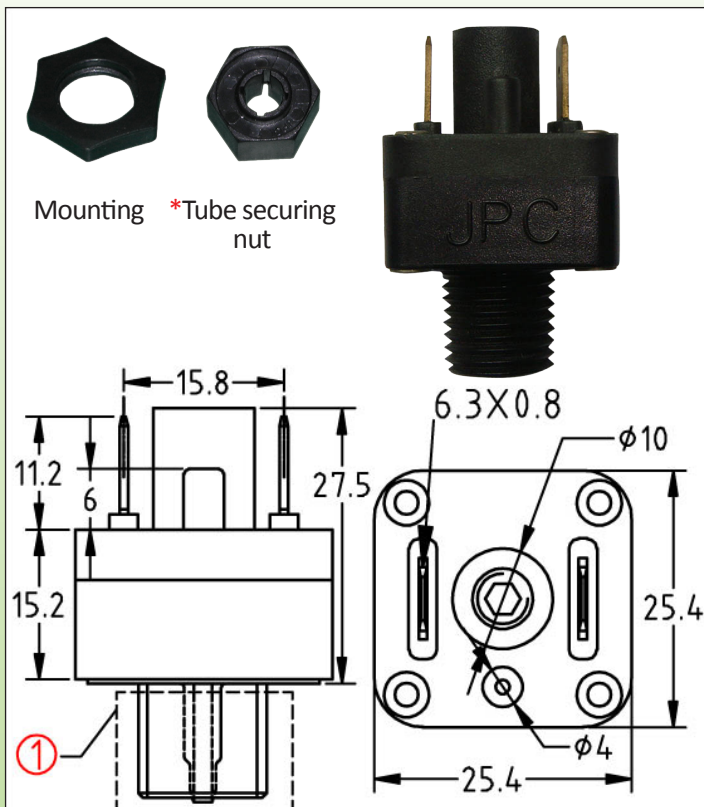


Slow action contact miniature air switches, 6.35 x 0.8 mm terminals

SPNO contact : Type ZF

DIMENSIONS



Uses: Low voltage, high sensitivity
Main applications: Remote controls for spa, swimming pools saunas, intrusion detection carpets, plumbing equipment. This pressure switch is more sensitive than snap action models and allows longer tubing distance
Membranes: EPDM, dia 22 mm. Silicone or NBR on request
Fluid: air
Fitting: Plastic spout for 1/8(3mm) or 1/16(1.5mm) ID flexible plastic tubing maximum hardness 70 shore A
Pressure: positive
Housing: PA66, UL94 VO and ABS
Contact: single pole normally open, slow make.
Electrical rating:
 - Silver contact: max 1A 250V
 - Gold plated contact: max 100 mA, 24V
Action: momentary, close on pressure impulse.
Set point calibration: 50mbar, factory calibrated and sealed, not field adjustable. Other values on request
Electrical connection: printed circuit terminal, dia 1.2 mm, 15 mm spacing
Maximum pressure: 2 bars (29 PSI)
Ambient temperature limits: 0 to 85°C
Barometric compensation: groove on 4 mm spout for ¼ NPSM, calibrated orifice on 9/16-18
Caution: This compensation is skipped if using ¼ thread for pressure connection
Mounting fittings: ¼" NPSM or 9/16-18 (2 possible flat positions)
Switch operation: Operates on a sealed pressure air displacement. Do not use pressure transmitters with air input to avoid pumping action.
 Use air transmitters with enough air volume to achieve minimum operating pressure.
Caution: too long connecting tubing and/or too small pressure transmitter will not operate the air switch or will operate it with a momentary action.
Accessories: shipped with plastic nut. Maximum tightening torque with plastic nut is 0.08mkg (0.8Nm).
Recommended value: 0.5 Nm . Stainless steel nut or tube securing nut (*) on request

Available pressure inlet fittings ①	Mounting	*Tube securing nut

References (with calibration at 50 mbar):

Pressure inlet	Silver contact	Gold plated contact
9/16-18+ spout, 2 flats at 0°, standard nut	ZF2X2UEA05000008	ZF2X2UEG05000008
9/16-18+ spout, 2 flats at 90°, standard nut	ZF2X2WEA05000008	ZF2X2WEG05000008
1/4 NPSM + spout, standard nut	ZF2X2IEA05000006	ZF2X2IEG05000006
9/16-18+ spout, 2 flats at 0°, tube securing nut	ZF2X2UEA05000009	ZF2X2UEG05000009
9/16-18+ spout, 2 flats at 90° tube securing nut	ZF2X2WEA05000009	ZF2X2WEG05000009
1/4 NPSM + spout, tube securing nut	ZF2X2IEA05000007	ZF2X2IEG05000007

Other set point values: replace 050 in the product reference by the requested value in mbar

