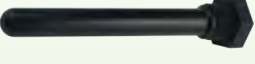




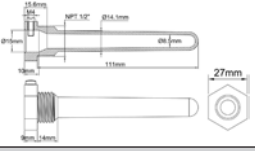
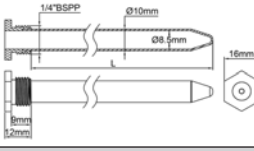
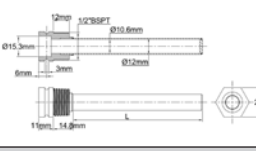
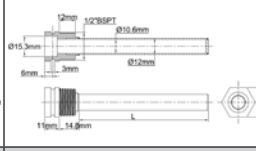
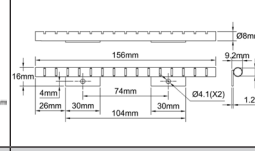


# Pockets

66DR12510021C000	66DL14P****	66DI12****	66DK12****	66DU****
				
				
PBT pocket, 1/2" NPT thread	Nickel plated brass pocket, 1/4" BSPP thread. Available in various diameters and lengths	304 Stainless steel pocket, with M4 securing screw, 1/2" BSPP thread. Available in various diameters and lengths	Nickel plated brass pocket, 1/2" BSPT thread Available in various diameters and lengths	Stainless steel mechanical protection for wall mounting thermostat bulb or sensor

\*\*\*\* Many thermostat mounting accessories (pockets, flanges, fittings, coolers) have been developed for thermostats with enclosures, and can be used on thermostats for incorporation. See catalog No. 2 which gives all the possible references of these accessories






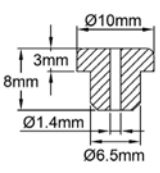
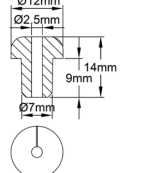
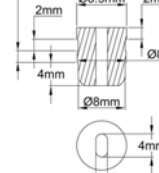
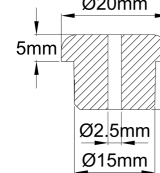
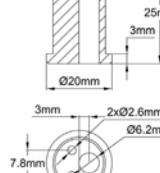
## Pockets grommets

Used to hold probes or electronic thermostat bulbs inside a pocket or a tube, while protecting them against the sharp edges of the tip

Flammability: UL 94-V0






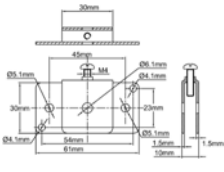
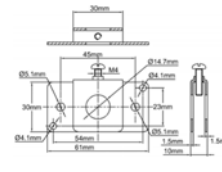
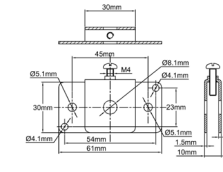
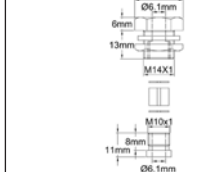
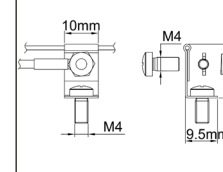
Hardness: 60 Shore A

Color: black. Other colors available (MOQ apply)




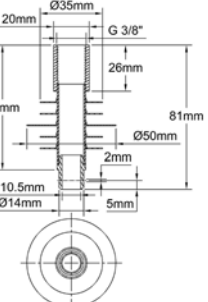
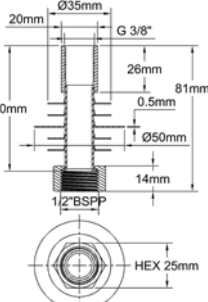
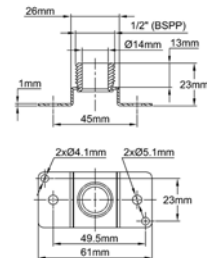
9BBJ01000ELH095A	9BBJ01000SPH012A	9BBJ010000ELH024A	9BBJ0100004008A	9BBJ01000SPH002A
				
				
Pocket grommet for 6.5 mm ID and wire or capillary of 1.4 mm	Pocket grommet for 7 mm ID and wire or capillary of 2.3 mm	Pocket grommet for 8 to 8.5 mm ID and 4 x 2 mm flat cable	Pocket grommet for 15 mm ID and wire or capillary of 2.5 mm	Pocket grommet for 16 mm ID and 2 wires or capillary of 2.6 mm and one cable of 6 mm dia.

Many silicone parts have been developed for thermostats with enclosures, and can be used on thermostats for incorporation. See catalog No. 2

## Flanges and fittings

66BF1	66BF3	66BF2	66RL41LB010	6YEBMG002
				
				
Air duct flange for rod thermostat with dia. 14.5mm output	Air duct thermostat flange for 6mm bulb	Air duct thermostat flange for 8mm bulb	Capillary stuffing box with flat gasket and M14 nut	Capillary grounding terminal

## Rod coolers

66RF07015	66RF0231M12	66DA0008050400
		
		
Rod cooler with 14.5mm termination.. Used on high temperature rod thermostats. Fits the 3/8 thread located under the housing and the dia. 14.5 hole of pockets or flanges Not usable on Y0 types	Rod cooler G1/2 Used on high temperature rod thermostats. Fits the 3/8 thread located under the housing and the 1/2 male thread of rod cooler bracket Not usable on Y0 types	G1/2 Rod cooler bracket (for air ducts mounting) Not usable on Y0 types

Because of permanent improvement of our products, drawings, descriptions, features used on these data sheets are for guidance only and can be modified without prior advice

products and components in this catalogue are made by Ultimheat alliance members. unless exceptionally specified by this logo

