



48x48x45 mm

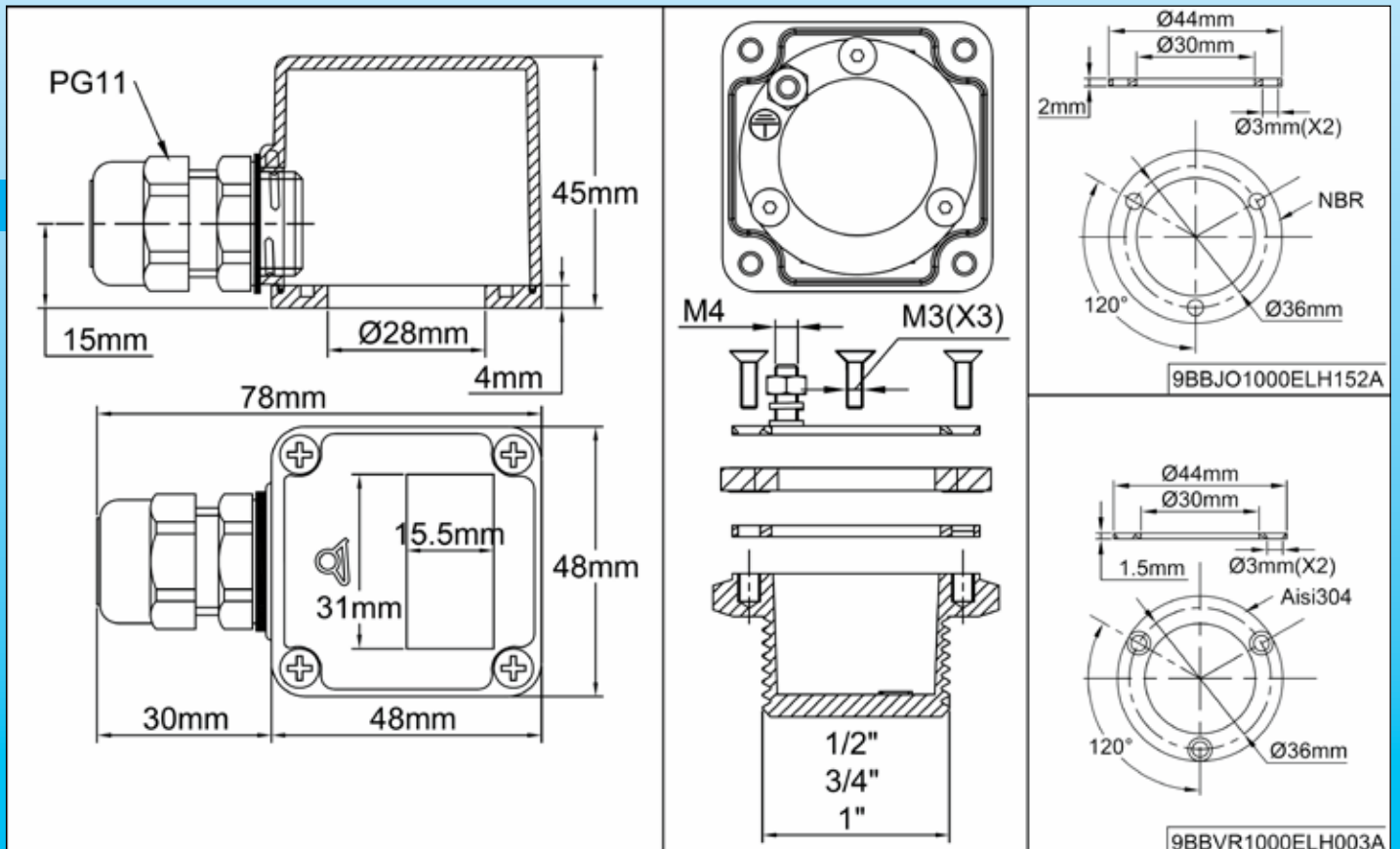
## Immersion heaters connection boxes

**Dimensions: 48x48x45 mm**

**Material:** Fiber glass filled black PA66

**Fastener:** Stainless steel

**Main configurations**



### Basic references

Without cable gland, PG11thread	Y301SM5E1FTT0XGA
With PG11 PA66 cable gland	Y301SC2E1FTT0XGA

\* References do not include the brass fitting (See accessories at the end of this catalogue)

**Internal accessories:** These models cannot receive thermostats or other internal accessories