



78x78x74 mm Universal

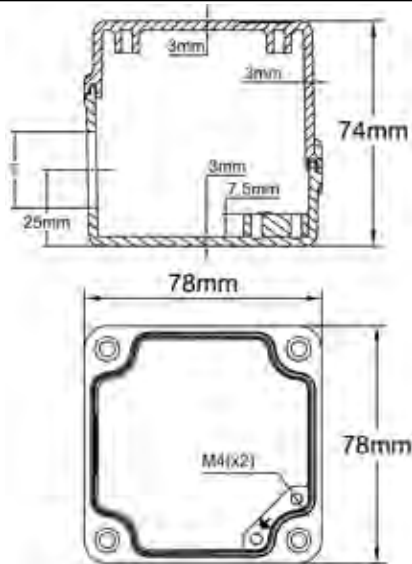
Immersion heaters connection boxes

Dimensions: 78x78x74 mm Universal (1st section)

Material: Die cast aluminum

Type: Unlosable stainless steel fasteners,
galvanic corrosion protected

Basic references

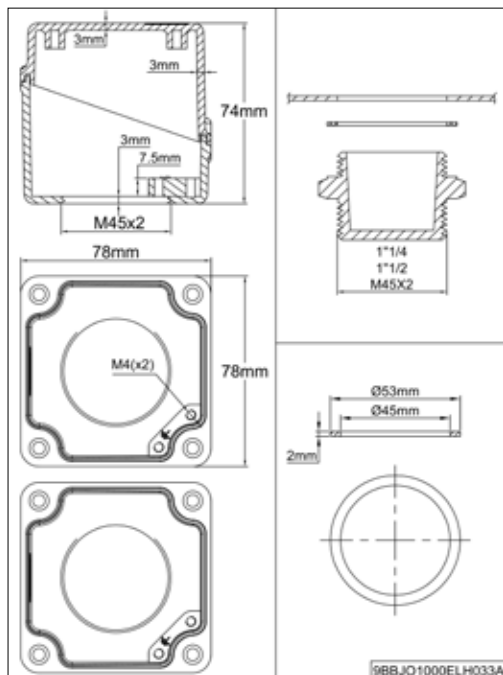


Basic references, sand blasted, no fitting holes, cable gland not included

No cable gland hole.	Y304U00B00TT0XA1
PG11 thread (T)	Y304UM5B00TT0XA
M20 x 1.5 thread (T)	Y304UM1B00TT0XA

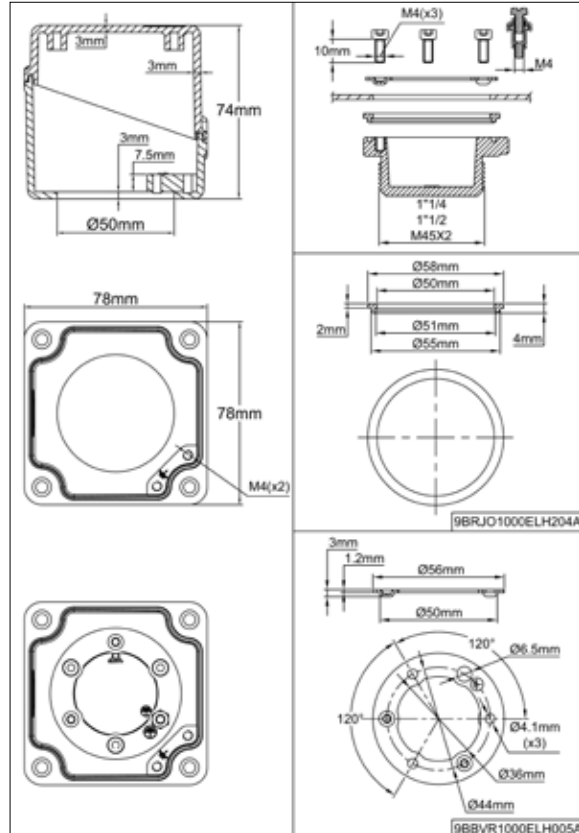
Main fitting configurations

M45 thread for brass fitting direct mounting*



Reference : Replace B00 in the basic reference by B45

Mobile brass fitting with 3 hole ring dia.50*



Reference : Replace B00 in the basic reference by B34

Immersion heaters connection boxes

Size 4



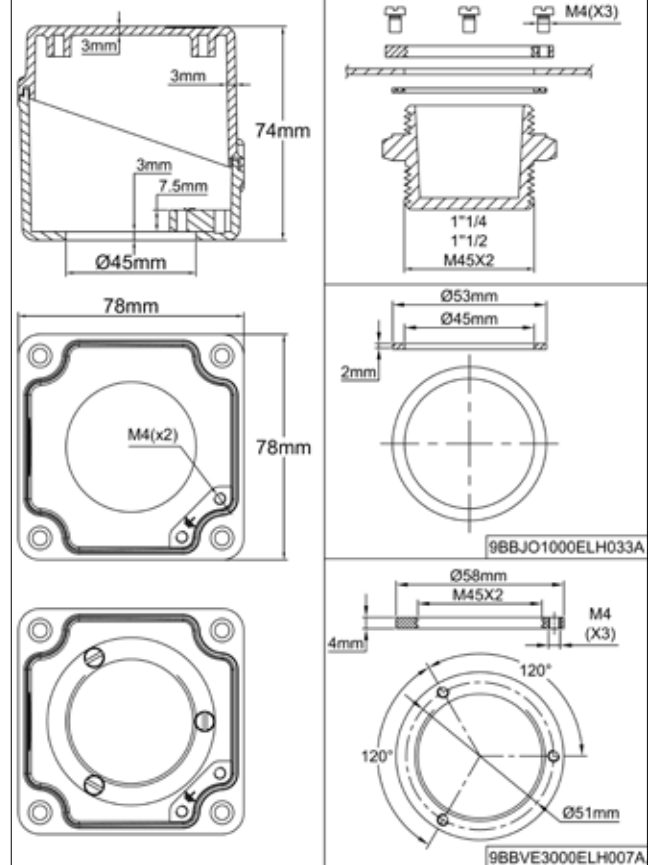
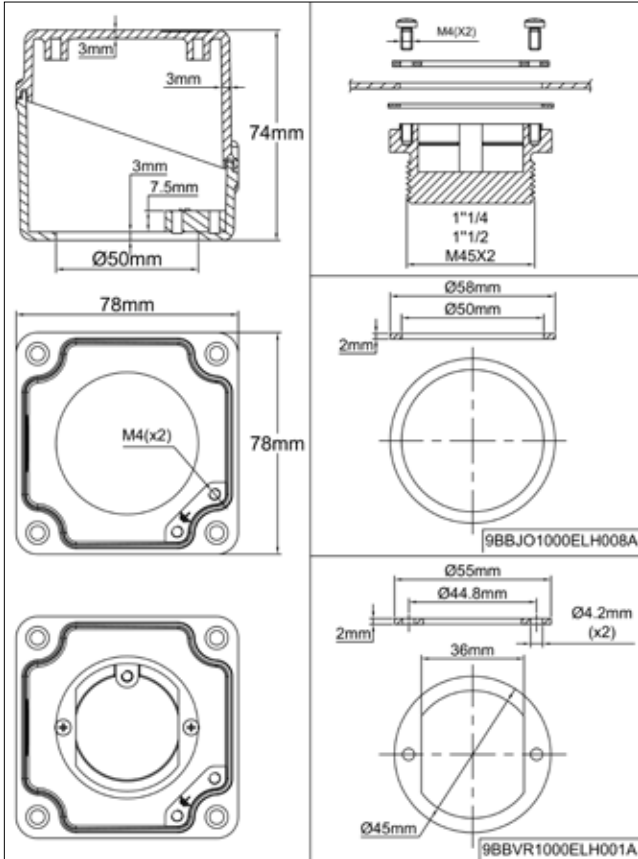
78x78x74 mm Universal

Dimensions: **78x78x74 mm Universal** (2nd section)

Main fitting configurations

Mobile brass fitting with 2 hole ring dia.50*

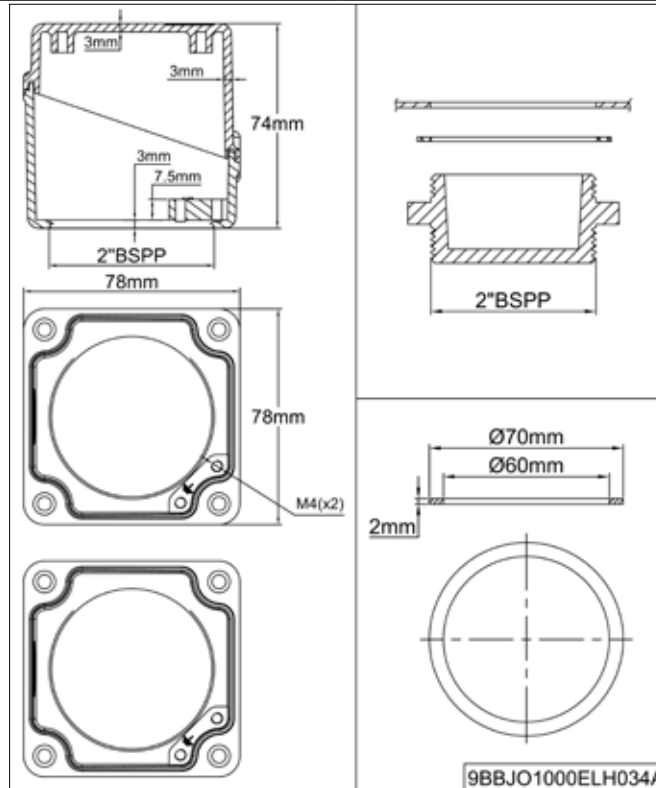
Mobile brass fitting with M45 threaded ring*



Reference : Replace B00 in the basic reference by B24

Reference : Replace B00 in the basic reference by BR4

2" thread for brass fitting direct mounting*



Reference : Replace B00 in the basic reference by B21

* References do not include the brass fitting (See accessories at the end of this catalogue)

Internal accessories: These models can receive thermostats and internal bracket options, see next page

Because of permanent improvement of our products, drawings, descriptions, features used on these data sheets are for guidance only and can be modified without prior advice

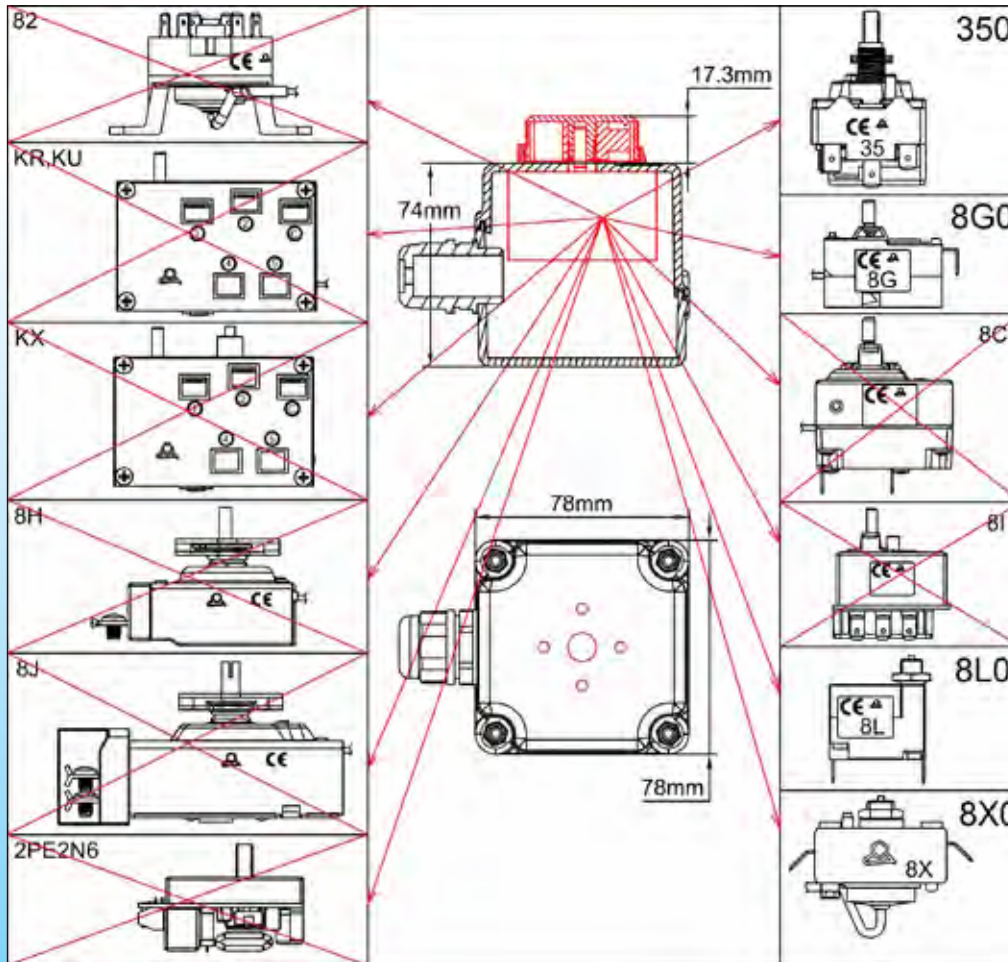


Immersion heaters connection boxes

Dimensions: **78x78x74mm Universal (3rd section)**

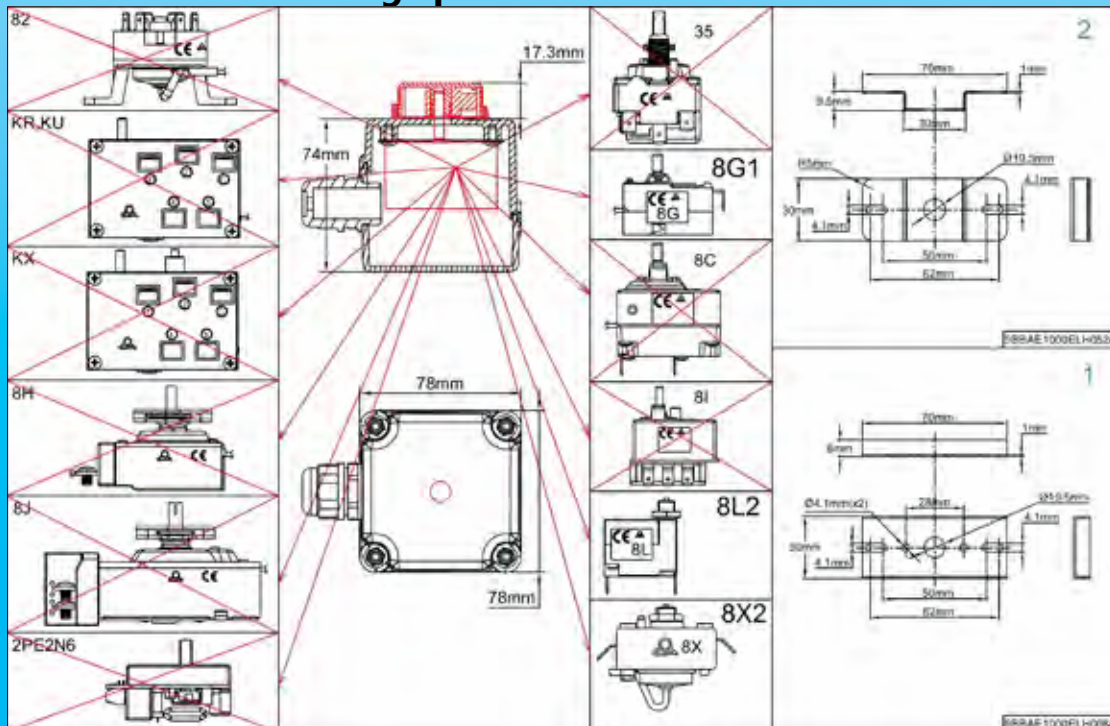
Mounting options directly on the cover

78x78x74 mm Universal



Drilling references: Replace the characters TTO in the basic reference by the 2 characters located in the selected thermostat cell.
Attention: the thermostat and eventually the knob and bezel must be ordered separately, see catalogue N°1.

Mounting options with internal bracket



Drilling references: Replace the characters TTO in the basic reference by the 3 characters located in the selected thermostat cell.
Attention: the thermostat and eventually the knob and bezel must be ordered separately, see catalogue N°1.

Immersion heaters connection boxes

Size 4



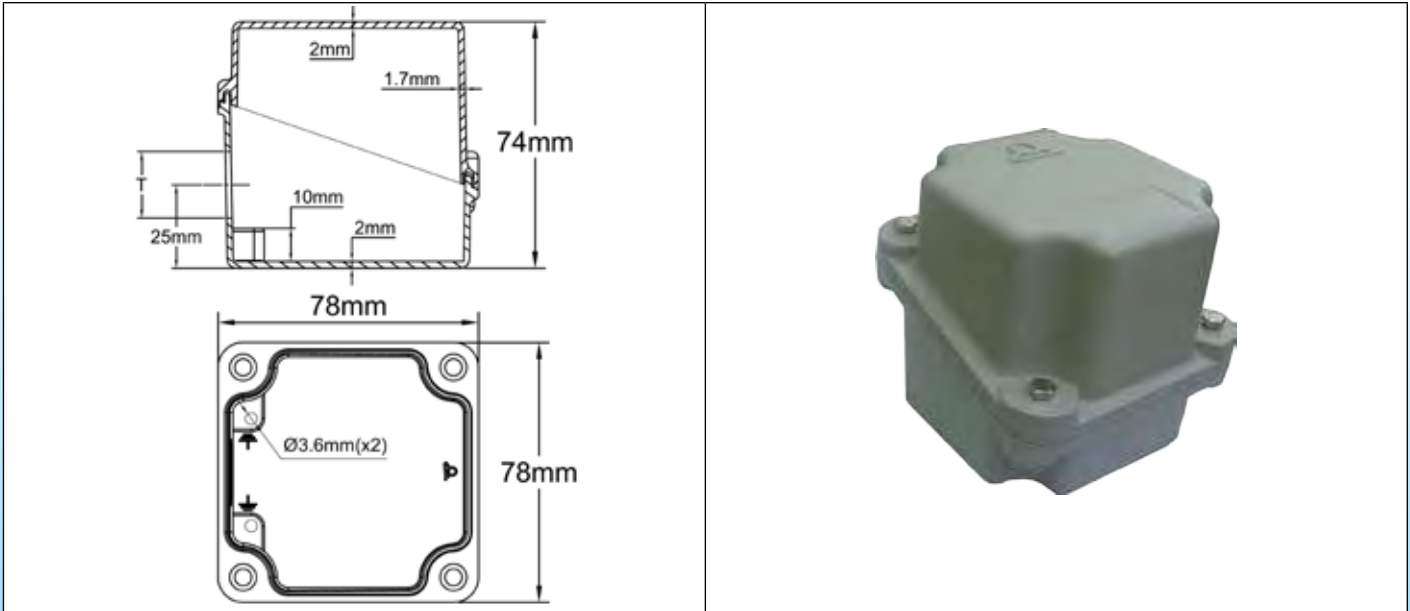
78x78x74 mm Simplified

Dimensions: 78x78x74 mm Simplified (1st section)

Material: Die cast aluminum

Type: *simplified*, nickel plated steel fasteners, without galvanic corrosion protection

Basic references



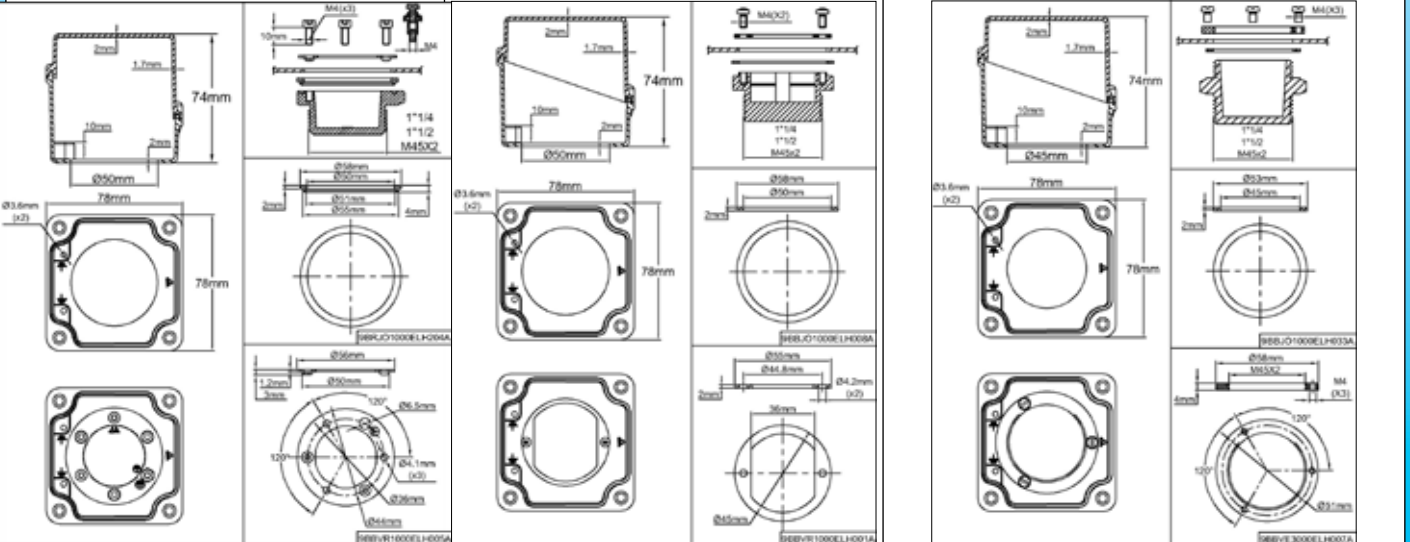
Basic reference, not sand blasted, fitting holes and cable gland hole without threads, cable gland not included

With dia 20 mm cable gland hole (T)

Y304SH3B00TTOXA0

Main fitting configurations

Mobile brass fitting with 3 hole ring* **Mobile brass fitting with 2 hole ring*** **Mobile brass fitting with M45 threaded ring***



Reference : Replace B00 in the basic reference by B34

Reference : Replace B00 in the basic reference by B24

Reference : Replace B00 in the basic reference by BR4

* References do not include the brass fitting (See accessories at the end of this catalogue)

Because of permanent improvement of our products, drawings, descriptions, features used on these data sheets are for guidance only and can be modified without prior advice



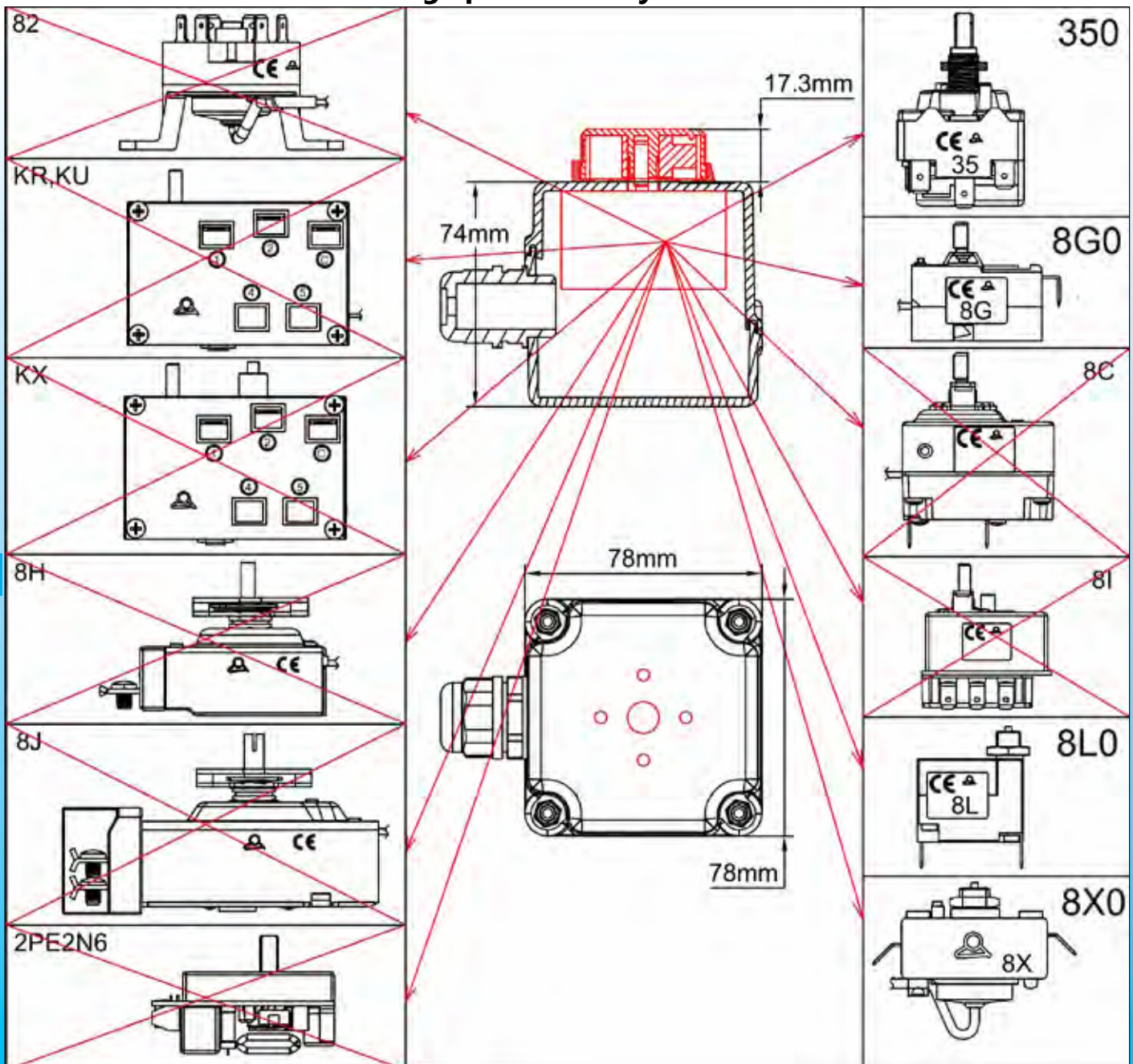
Immersion heaters connection boxes

Dimensions: 78x78x74 mm Simplified (2nd section)

Internal accessories: These models can receive

thermostats but not internal bracket options, and thermostats mounting holes are drilled after molding

Mounting options directly on the cover



Drilling references : Replace the characters TT in the basic reference by the 2 characters located in the selected thermostat cell.

Attention : the thermostat and eventually the knob and bezel must be ordered separately, see catalogue N°1.