

# Immersion heaters connection boxes

Size 5



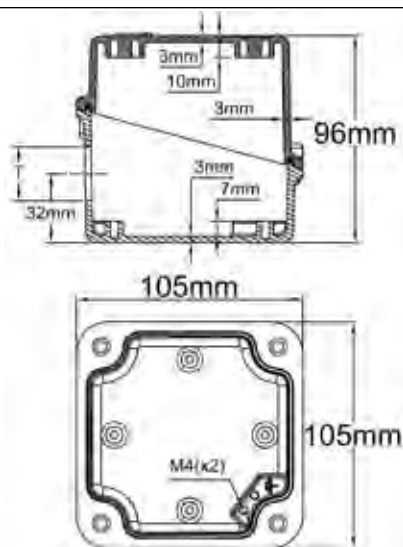
105x105x96 mm Universal

**Dimensions: 105x105x96 mm Universal (1st section)**

**Material:** Die cast aluminum

**Type:** Universal, unlosable stainless steel fasteners, galvanic corrosion protected

## Basic references



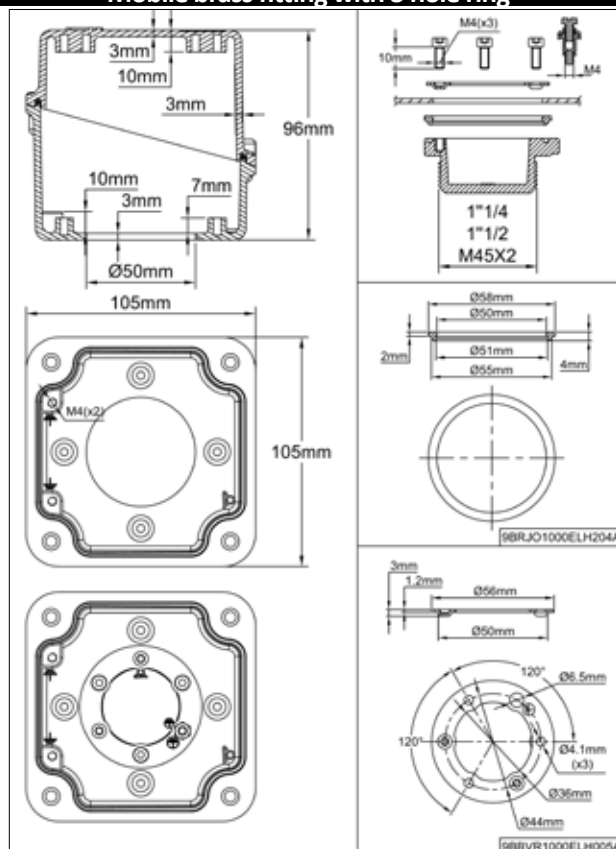
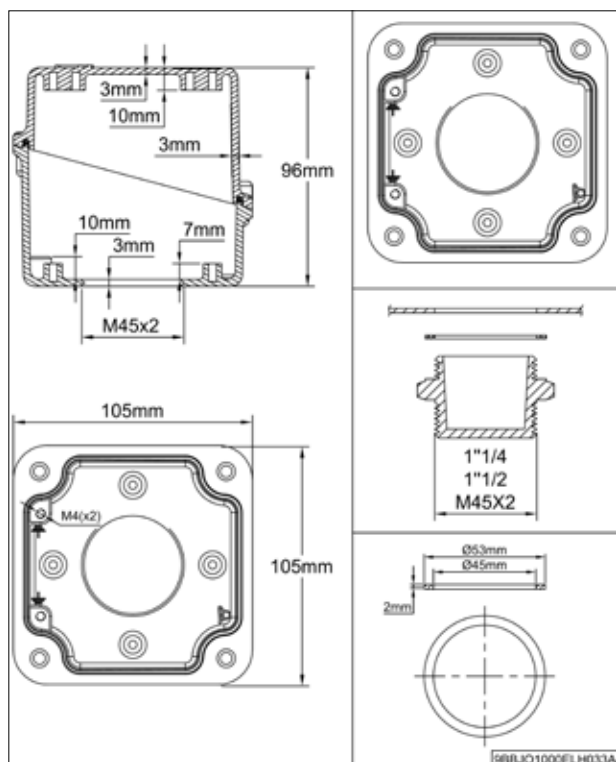
Basic references, sand blasted, no fitting holes, cable gland not included

No cable gland hole.	Y305U00B00TTOXA1
PG13.5 thread (T)	Y305UM6B00TTOXA1
M25 x 1.5 thread (T)	Y305UM3B00TTOXA1

## Main fitting configurations

M45 thread for brass fitting direct mounting\*

Mobile brass fitting with 3 hole ring\*



Reference : Replace B00 in the basic reference by B45

Reference : Replace B00 in the basic reference by B34

Because of permanent improvement of our products, drawings, descriptions, features used on these data sheets are for guidance only and can be modified without prior advice

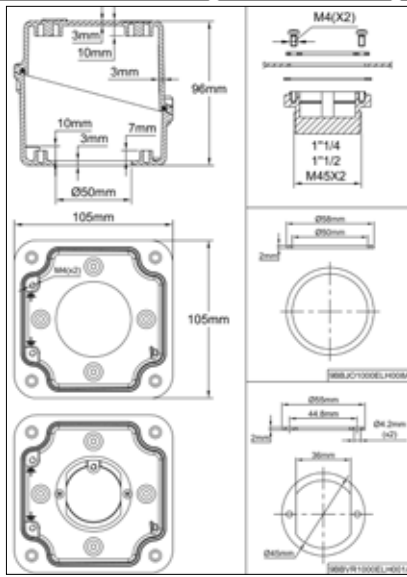


# Immersion heaters connection boxes

Dimensions: **105x105x96 mm Universal (2nd section)**

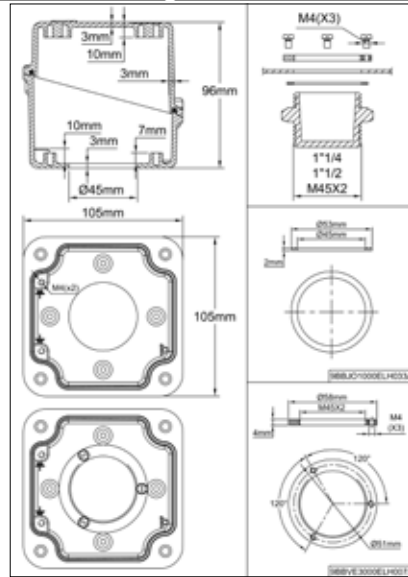
105x105x96 mm Universal

**Mobile brass fitting with 2 hole ring\***



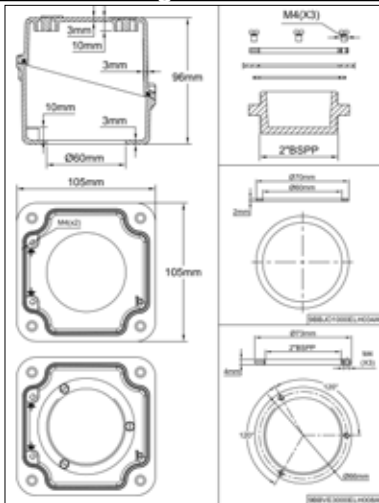
Reference : Replace B00 in the basic reference by B24

**Mobile brass fitting with M45 threaded ring\***



Reference : Replace B00 in the basic reference by BR4

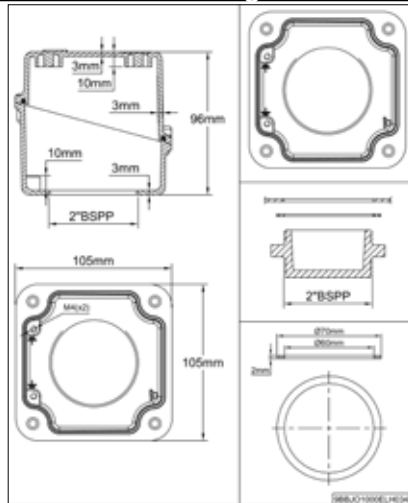
**Mobile brass fitting with 2" threaded ring\***



Reference : Replace B00 in the basic reference by B2R

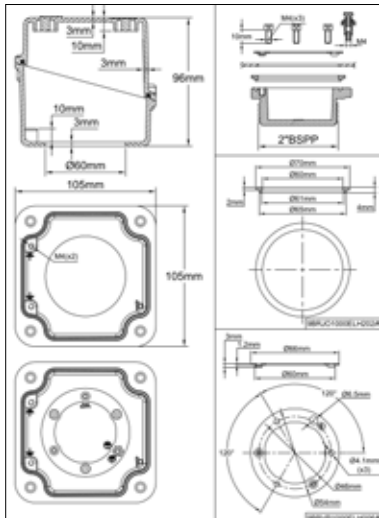
**2" mobile brass thread with 3 hole ring dia.60\***

**2" thread for brass fitting direct mounting\***

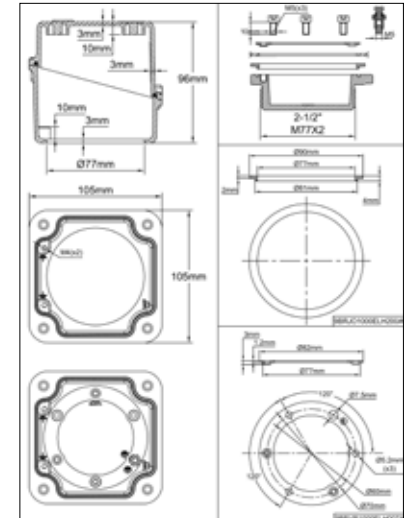


Reference : Replace B00 in the basic reference by B2I

**2 1/2 mobile brass thread with 3 hole ring dia.77\***



Reference : Replace B00 in the basic reference by B36



Reference : Replace B00 in the basic reference by B37

\* References do not include the brass fitting (See accessories at the end of this catalogue)

Because of permanent improvement of our products, drawings, descriptions, features used on these data sheets are for guidance only and can be modified without prior advice



# Immersion heaters connection boxes

Size 5

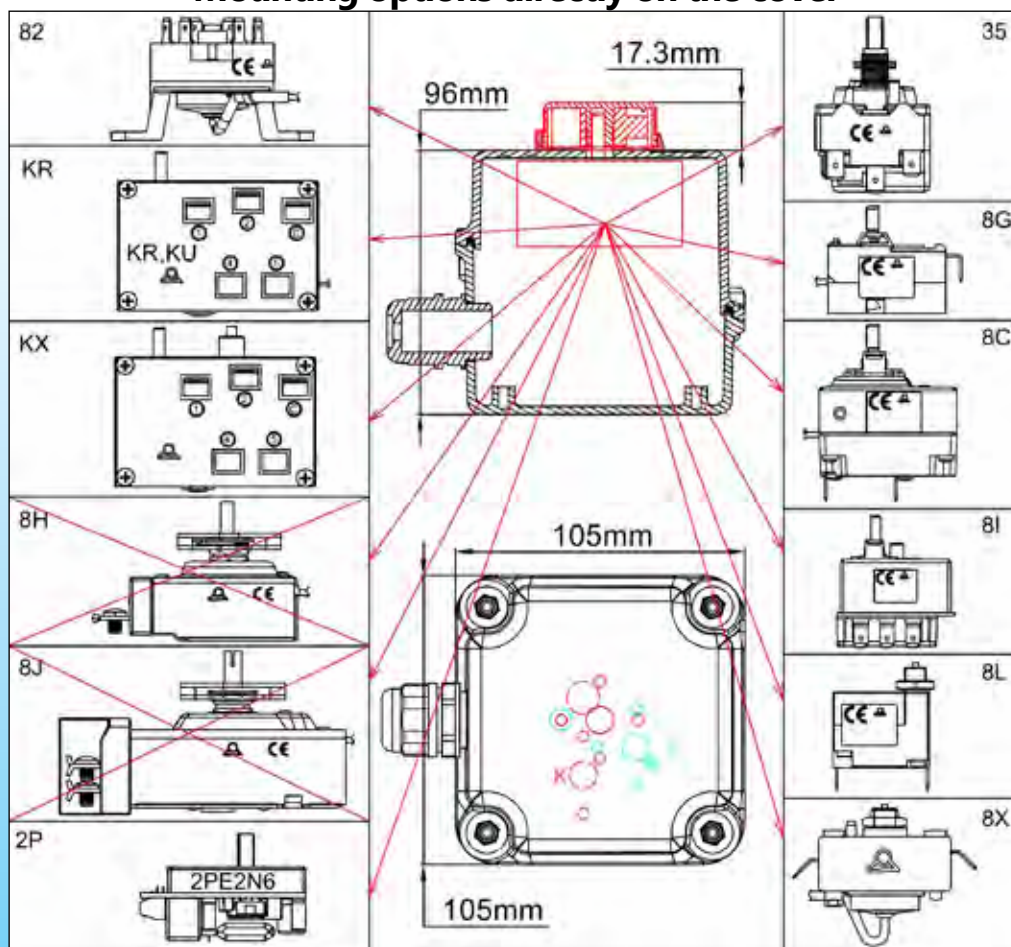


105x105x96 mm Universal

**Dimensions: 105x105x96 mm Universal (3rd section)**

**Internal accessories:** These models can receive thermostats and internal bracket options

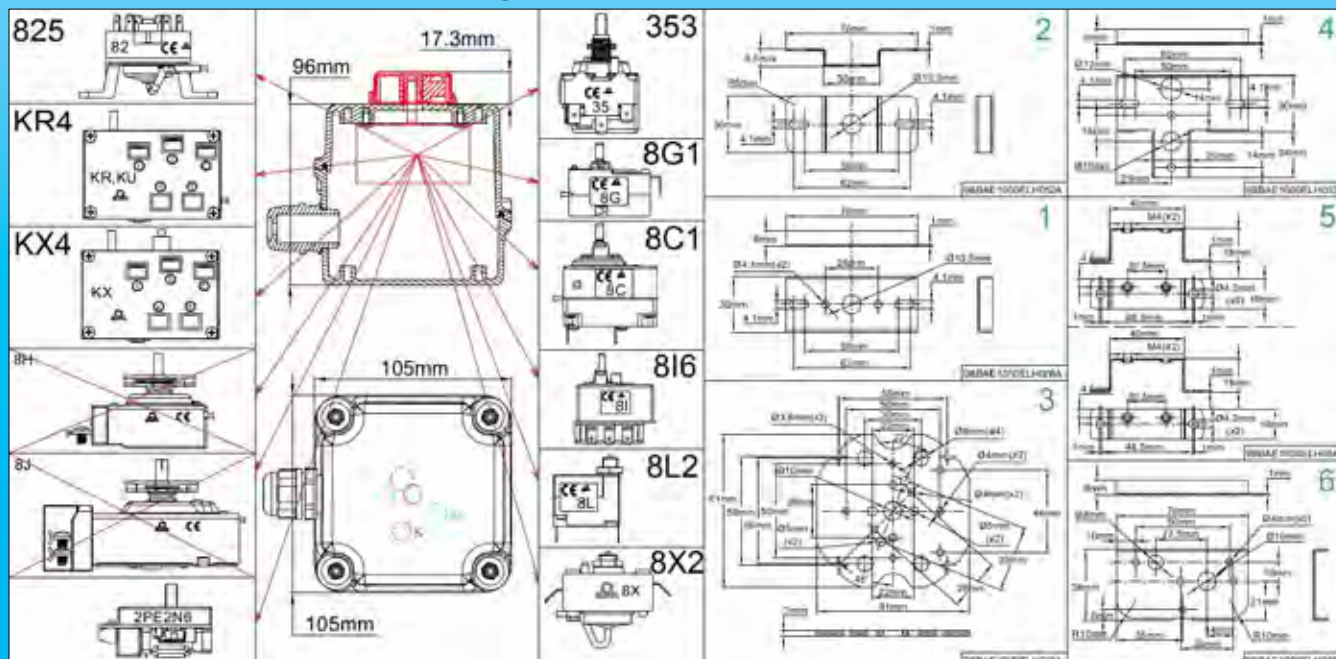
**Mounting options directly on the cover**



**Drilling references:** Replace the characters TT in the basic reference by the 2 characters located in the selected thermostat cell.

**Attention:** the thermostat and eventually the knob and bezel must be ordered separately, see catalogue N°1.

## Mounting options with internal bracket



**Drilling references:** Replace the characters TTO in the basic reference by the 3 characters located in the selected thermostat cell.

**Attention:** the thermostat and eventually the knob and bezel must be ordered separately, see catalogue N°1.

