



130x130x150 mm Universal

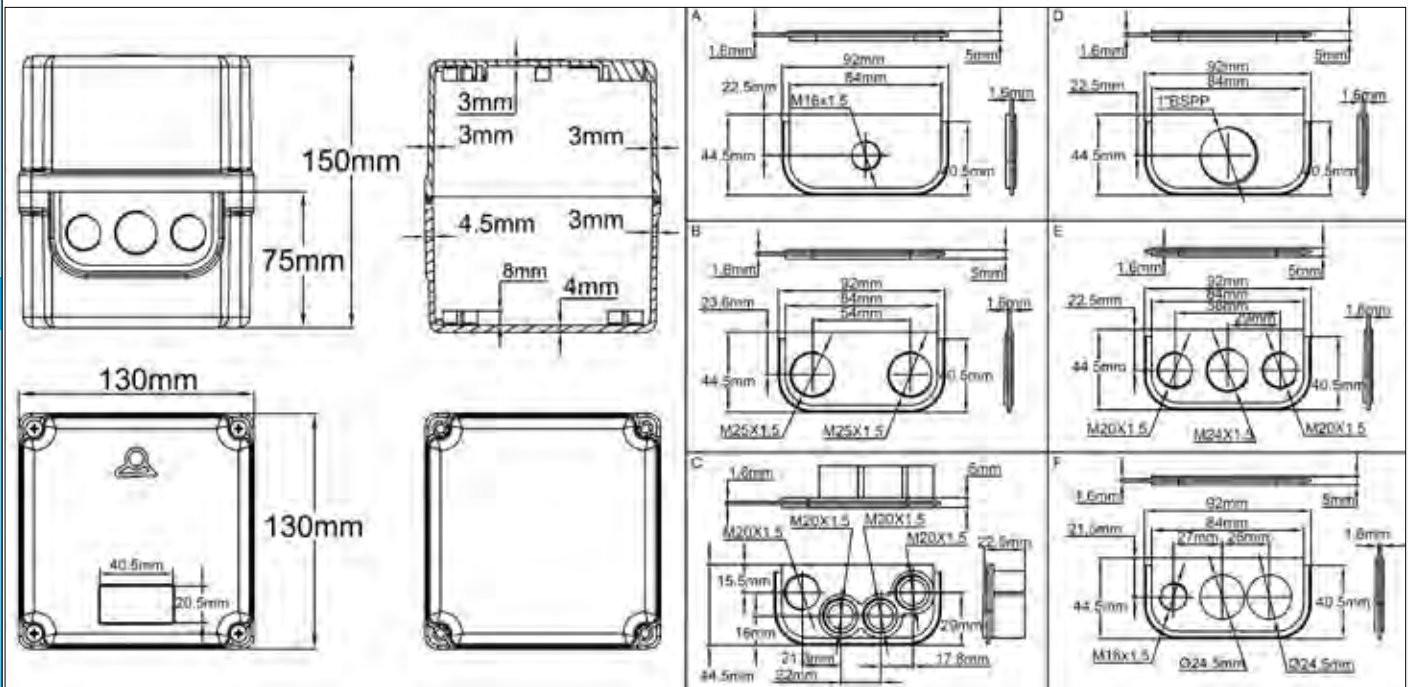
Immersion heaters connection boxes

Dimensions: 130x130x150 mm Universal (1st section)

Material: Fiber glass reinforced PA66

Type: Universal, unlosable stainless steel fasteners

Basic references



Basic references, no fitting holes, cable gland not included

1x M16x1.5 thread	A	Y307U1AE00TTOXGA
2x M25x1.5 threads	B	Y307U1BE00TTOXGA
1x M20x105 thread + 3 outputs for flat cables	C	Y307U1CE00TTOXGA
1x 1" thread	D	Y307U1DE00TTOXGA
1x M24x1.5 thread + 2 x M20x1.5 threads	E	Y307U1EE00TTOXGA
2 holes dia 24.5+ 1x M16x1.5 thread	F	Y307U1FE00TTOXGA



130x130x150 mm Universal

Dimensions: 130x130x150 mm Universal

(2nd section)

Main fitting configurations

M45 thread for brass fitting direct mounting*	Mobile brass fitting with M45 threaded ring*	Mobile brass fitting with 2 hole ring dia.50*
Reference : Replace E00 in the basic reference by E45	Reference : Replace E00 in the basic reference by ER4	Reference : Replace E00 in the basic reference by E24
Mobile brass fitting with 3 hole ring dia.50*	Mobile brass fitting with 2" threaded ring*	2" thread for brass fitting direct mounting dia.60*
Reference : Replace E00 in the basic reference by E34	Reference : Replace E00 in the basic reference by E36	Reference : Replace E00 in the basic reference by E2R

Because of permanent improvement of our products, drawings, descriptions, features used on these data sheets are for guidance only and can be modified without prior advice





130x130x150 mm Universal

Immersion heaters connection boxes

**Dimensions: 130x130x150 mm Universal
(3rd section)**

2" thread for fitting direct mounting	M77 thread for brass fitting direct mounting*	Mobile flange assembly
<p>Reference : Replace E00 in the basic reference by E21</p>	<p>Reference : Replace E00 in the basic reference by E37</p>	<p>Reference : Replace E00 in the basic reference by E7R</p>

M77 thread for fitting direct mounting*	Mounting on steady or mobile bracket dia.88
<p>Reference : Replace E00 in the basic reference by E77</p>	<p>Reference : Replace E00 in the basic reference by EF8</p>

* References do not include the brass fitting (See accessories at the end of this catalogue)

Because of permanent improvement of our products, drawings, descriptions, features used on these data sheets are for guidance only and can be modified without prior advice



Immersion heaters connection boxes

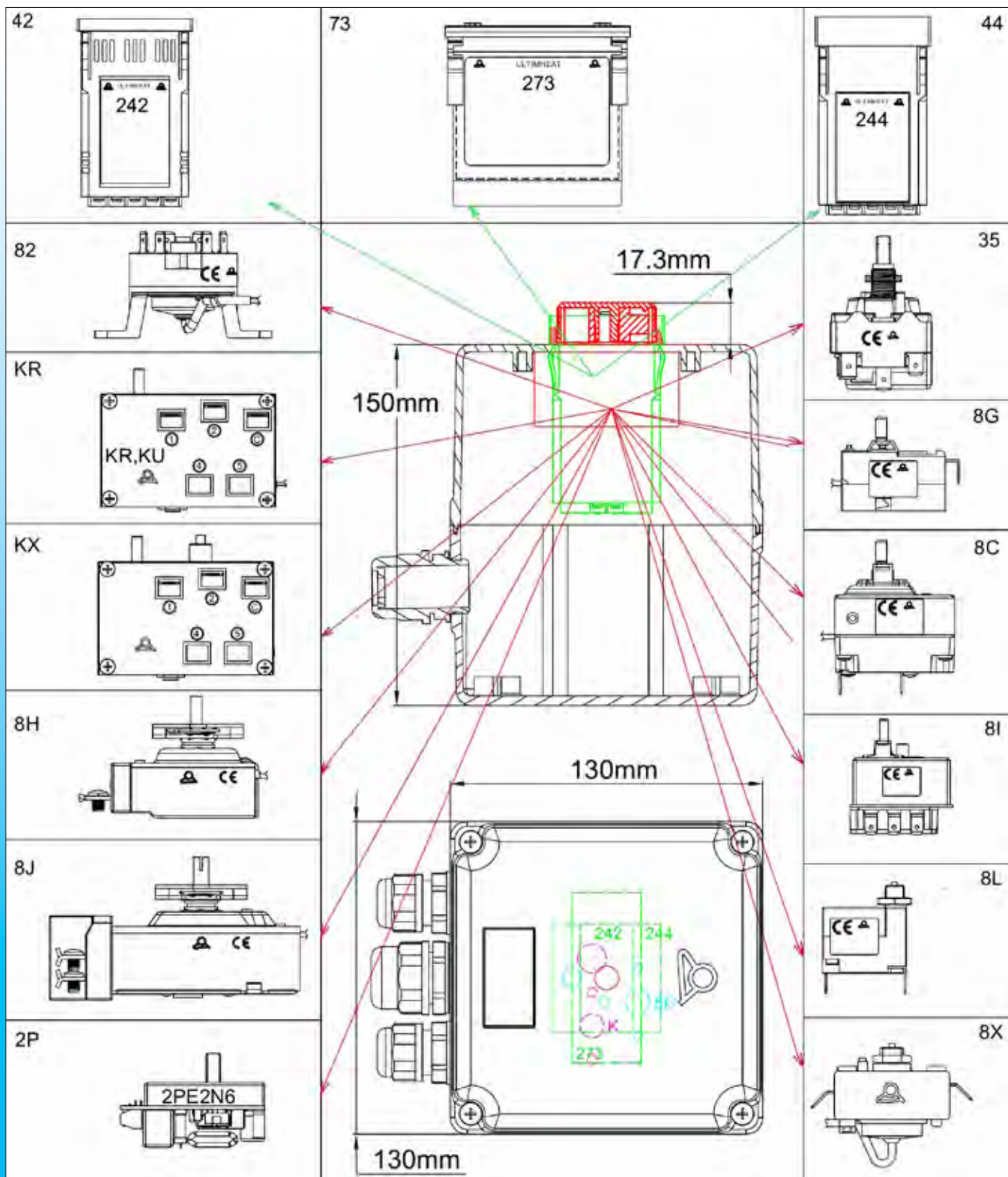
Size 7



130x130x150 mm Universal

Dimensions: 130x130x150 mm Universal
(4th section)

Internal accessories: These models can receive thermostats and internal bracket options
Mounting options directly on the cover



Because of permanent improvement of our products, drawings, descriptions, features used on these data sheets are for guidance only and can be modified without prior advice

Drilling references : Replace the characters TT in the basic reference by the 2 characters located in the selected thermostat cell.
Attention : the thermostat and eventually the knob and bezel must be ordered separately, see catalogue N°1.



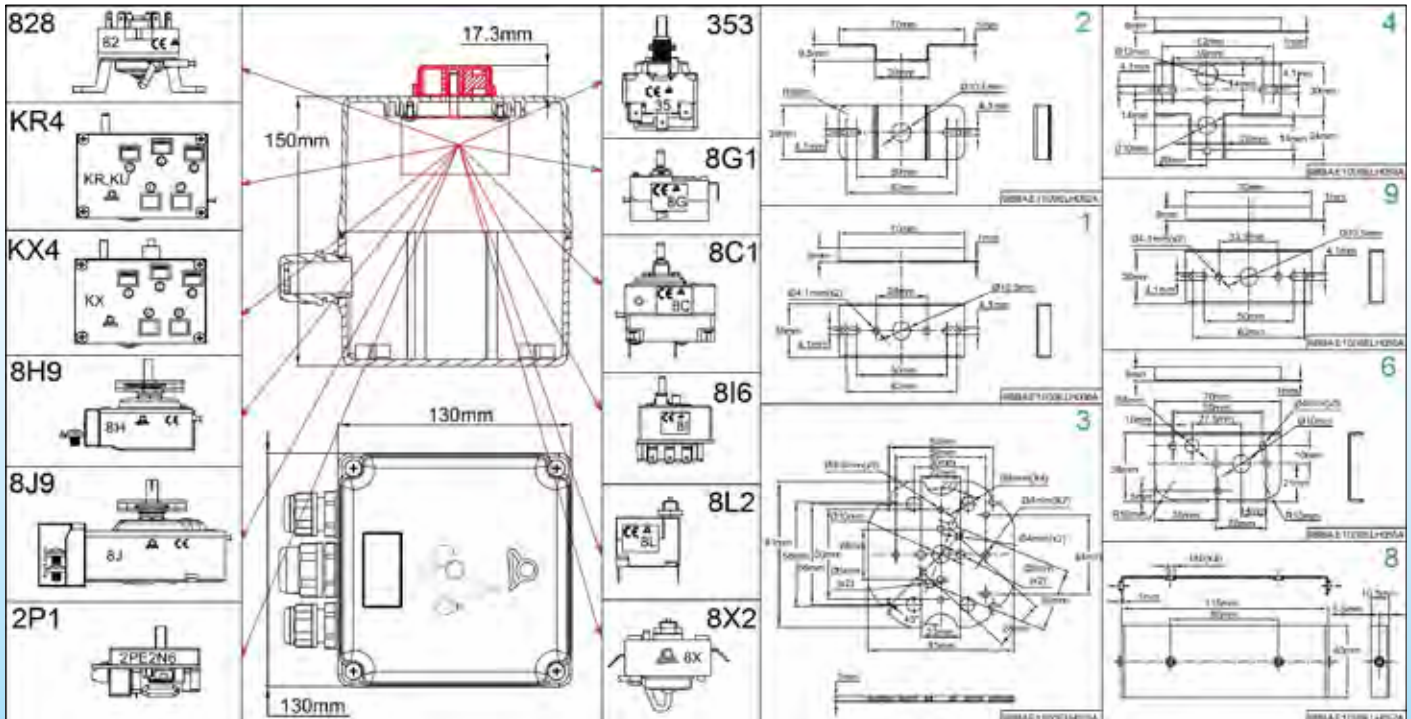


130x130x150 mm Universal

Immersion heaters connection boxes

Dimensions: **130x130x150 mm Universal (5th section)**

Mounting options with internal bracket



Drilling references : Replace the characters TTO in the basic reference by the 3 characters located in the selected thermostat cell.

Attention : the thermostat and eventually the knob and bezel must be ordered separately, see catalogue N°1.