



182x132x144 mm Universal with ring

## Immersion heaters connection boxes

**Dimensions: 182x132x148 mm Universal**  
**With orientable fitting from outside without opening**  
**(1st section)**

**Material:** Die cast aluminum

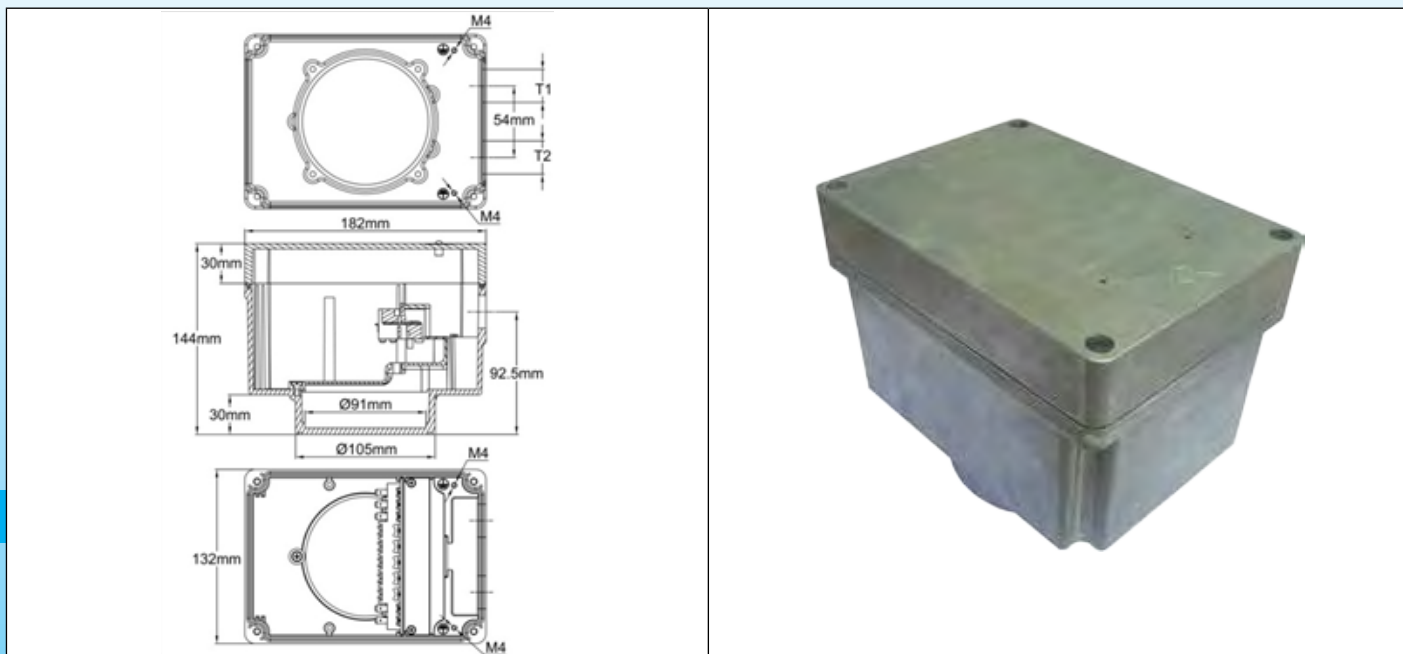
**Type:** Universal, unlosable stainless steel fasteners

Many versions of this box size, fully equipped and wired are described in the catalog No. 3, series Y7.

This series was developed to provide a simple way to make the orientation of immersion heater enclosures after installation, without the need to open.

The fitting size change is made without the need for enclosure machining, simply by changing the rotating aluminum disc located backside. This solution limits the stock value to meet all existing dimensions, since there is only one enclosure model and various cheap stamped aluminum rings with different holes and threads

### Basic references



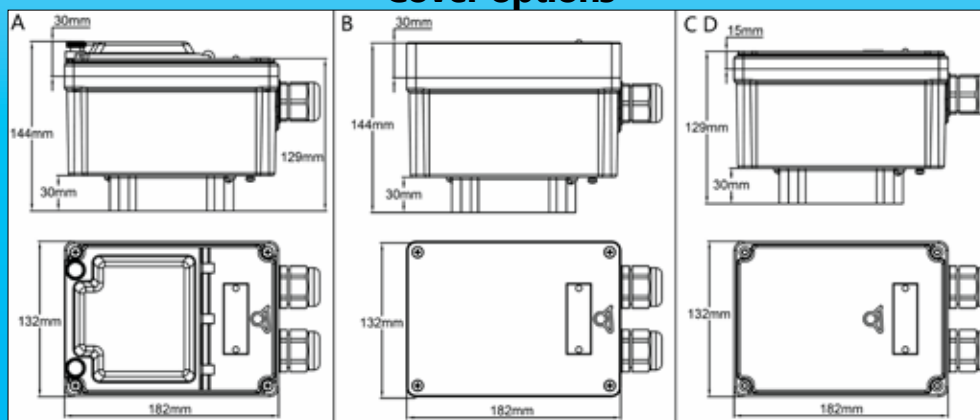
Basic references, with aluminum cover, dia 91mm hole backside, cable gland not included\*

No cable gland hole.	Y3R9U00B90TTOXA0
1 x M20 x 1.5 thread (T1).	Y3R9UM1B90TTOXA0
1 x M25 x 1.5 thread (T1).	Y3R9UM3B90TTOXA0
2 x M20 x 1.5 threads (T1+T2).	Y3R9UM8B90TTOXA0
2 x M25 x 1.5 threads (T1+T2).	Y3R9UM9B90TTOXA0
2x dia 20 holes for DIN 43650A connectors(T1+T2)**	Y3R9U1GB90TTOXA0

\* This type, with EX-e cable gland, can be fitted with thermostats for explosive areas. See catalogue N°4

\*\* This output is mandatory for models with 2 K thermostats

### Cover options



View	Description	References
A	Plastic cover with window	Replace B in the basic reference by A
B	Aluminum cover. (standard)	See basic references
C	Plastic cover, black color.	Replace B in the basic reference by C
D	Plastic cover, clear.	Replace B in the basic reference by D

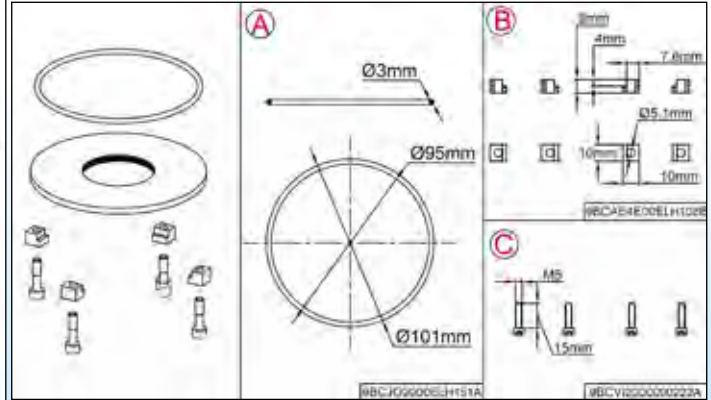
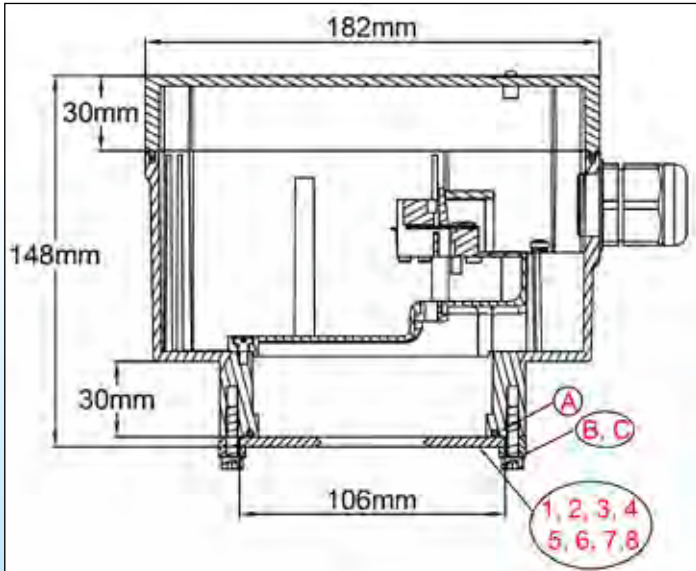
# Immersion heaters connection boxes

Size 9



182x132x144 mm Universal with ring

Dimensions : **182x132x148 mm Universal (2nd section)**  
Backside aluminum rings



<p>Ø106mm</p>	<p>M45x2 Ø106mm</p>	<p>Ø45mm Ø106mm</p>	<p>Ø50mm Ø106mm</p>
No hole	M45x2 thread	Dia 45 hole	Dia 50 hole
<p>2" BSPP Ø106mm</p>	<p>Ø60mm Ø106mm</p>	<p>Ø77mm Ø106mm</p>	<p>M77x2 Ø106mm</p>
2" BSPP thread	Dia 60 hole	Dia 45 hole	M77x2 thread

This enclosure is supplied in standard with four M5x12 screws (parts A), 4 clamps (parts B) and one gasket (part C). They can be purchased as spare parts (References on the drawing)

Backside rings can be purchased as spare parts (references on drawing) or fitted on enclosure. Reference with aluminum ring fitted: Replace character N°10 (0) by the number on the drawing

## Accessories

Other accessories: Brass and stainless steel fittings, inside rings, gaskets must be ordered separately and can be found at the end of this catalogue





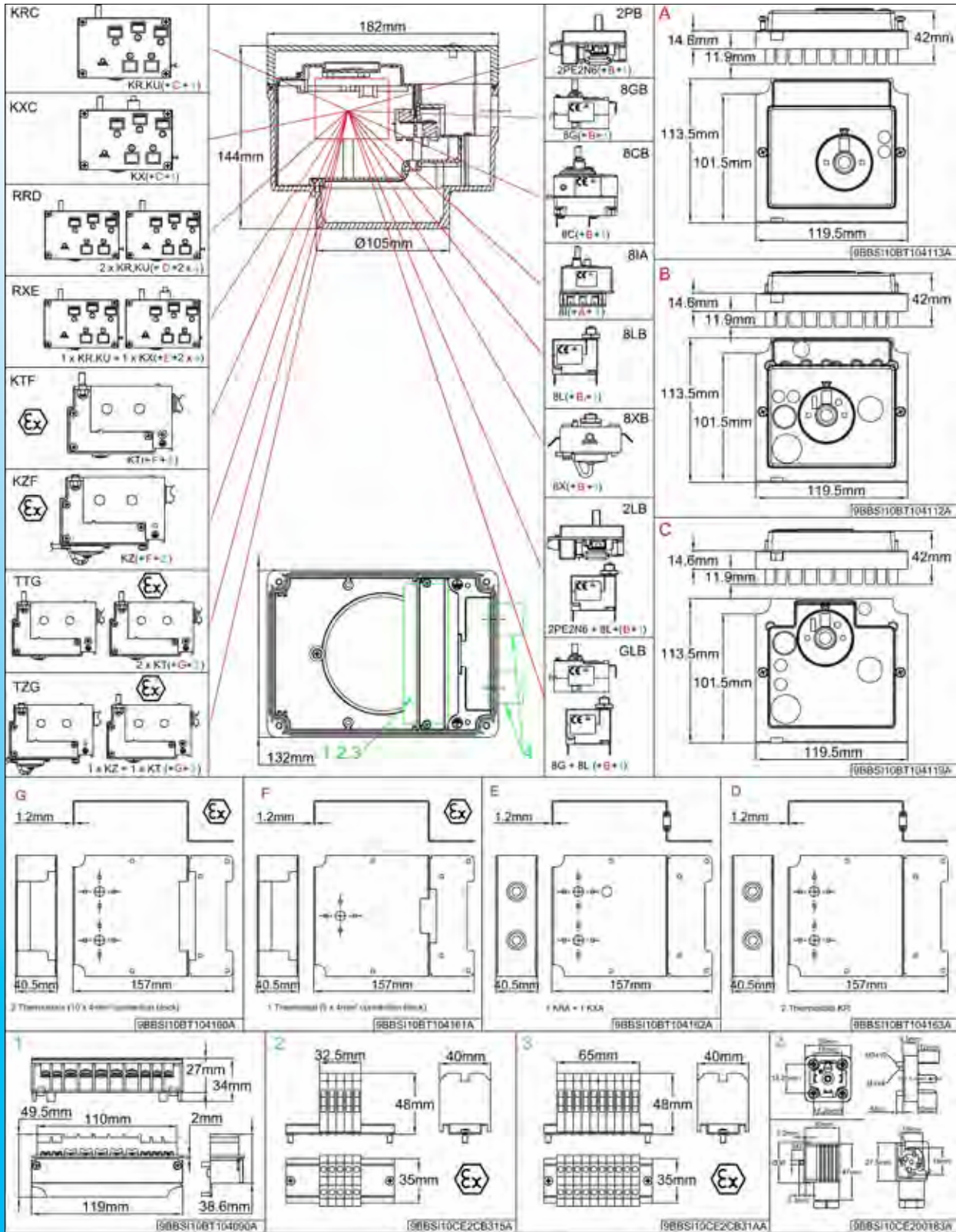
182x132x144 mm Universal with ring

# Immersion heaters connection boxes

**Dimensions: 182x132x148 mm Universal (3rd section)**

**Internal accessories:** These models can receive thermostats, electronic controls, relays and contactors mounted on internal boards. They are not intended to receive accessories mounted directly on the cover(s)

## Thermostat mounting options on internal mounting boards



Because of permanent improvement of our products, drawings, descriptions, features used on these data sheets are for guidance only and can be modified without prior advice

**References :** Replace the characters T10 in the basic reference by the 3 characters located in the selected thermostat cell.  
**Attention :** the thermostat and eventually the knob and bezel must be ordered separately, see catalogue N°1 for standard thermostats and catalogue N°4 for explosion proof EX thermostats.

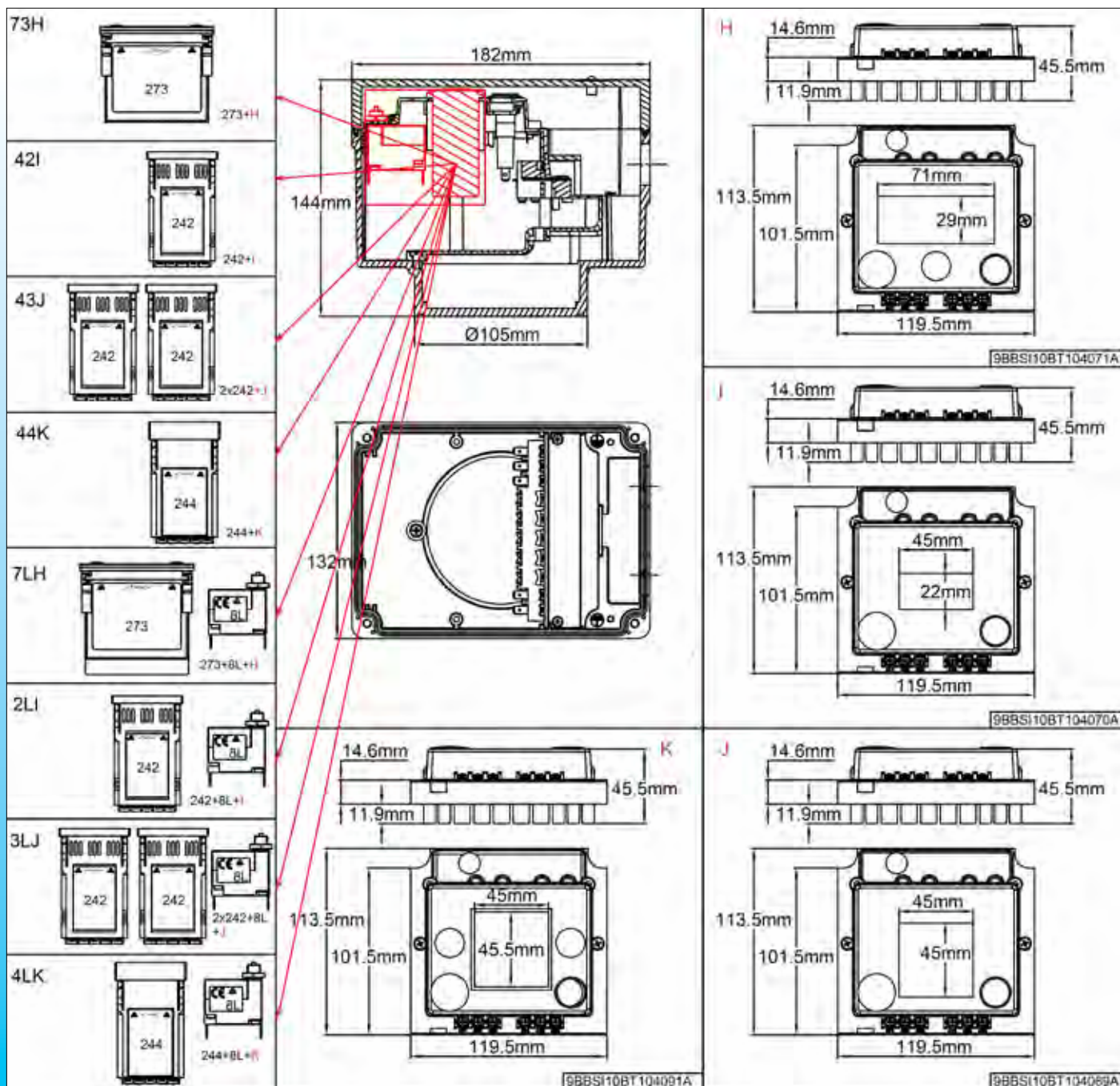




182x132x144 mm Universal with ring

Dimensions: **182x132x144 mm Universal**  
(4th section)

## Electronic control mounting options on internal mounting boards



**References :** Replace the characters TTO in the basic reference by the 3 characters located in the selected electronic controller cell. **Attention :** Electronic controller must be ordered separately, see catalogue N°3 describing every possible version.

Because of permanent improvement of our products, drawings, descriptions, features used on these data sheets are for guidance only and can be modified without prior advice



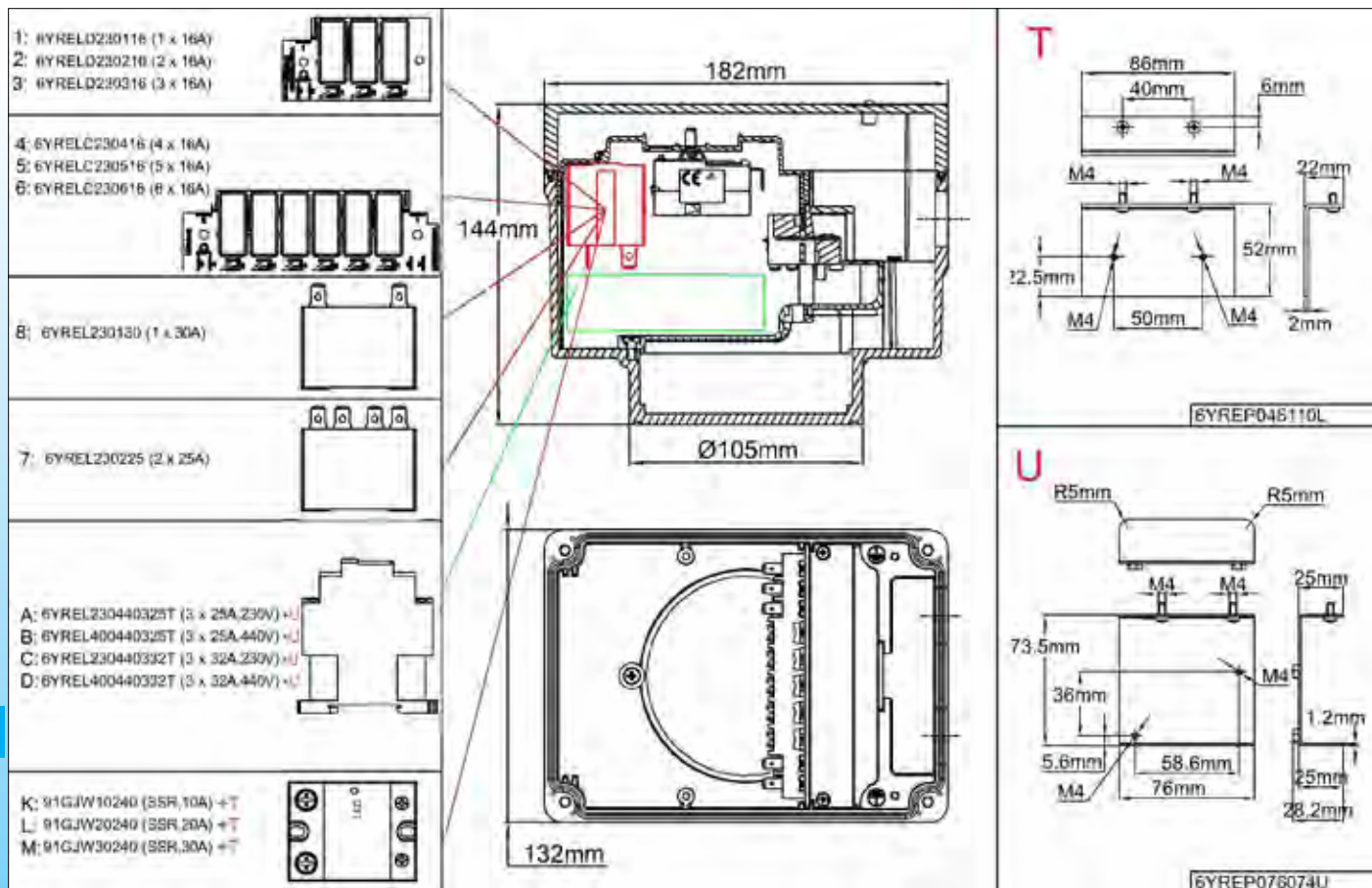


182x132x144 mm Universal with ring

## Immersion heaters connection boxes

Dimensions: **182x132x144 mm Universal**  
(5th section)

### Relay and contactor internal mounting options



**References** : Replace the character X in the basic reference by the character located in the selected relay cell.

**Attention** : relays must be ordered separately, see catalogue N°3 describing every possible version.