



182x132x144 mm Universal with ring

Immersion heaters connection boxes

Dimensions: 182x132x148 mm Universal
With orientable fitting from outside without opening
(1st section)

Material: Die cast aluminum

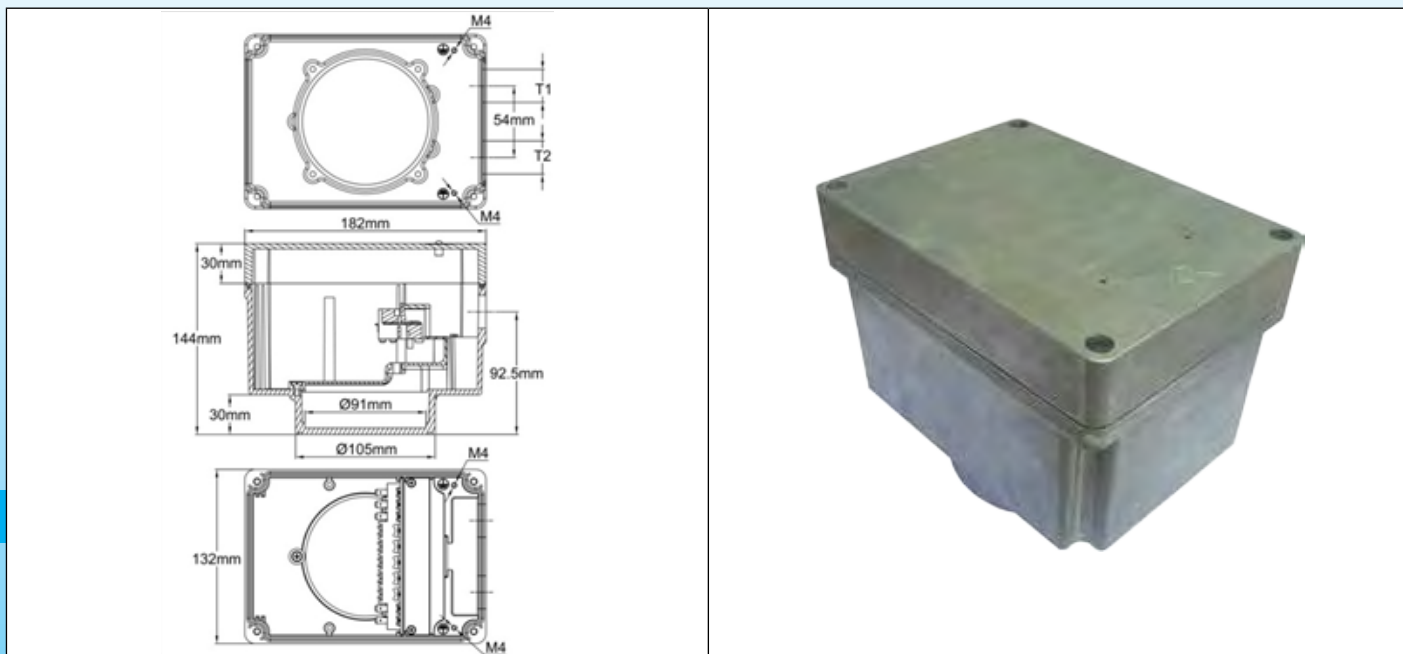
Type: Universal, unlosable stainless steel fasteners

Many versions of this box size, fully equipped and wired are described in the catalog No. 3, series Y7.

This series was developed to provide a simple way to make the orientation of immersion heater enclosures after installation, without the need to open.

The fitting size change is made without the need for enclosure machining, simply by changing the rotating aluminum disc located backside. This solution limits the stock value to meet all existing dimensions, since there is only one enclosure model and various cheap stamped aluminum rings with different holes and threads

Basic references



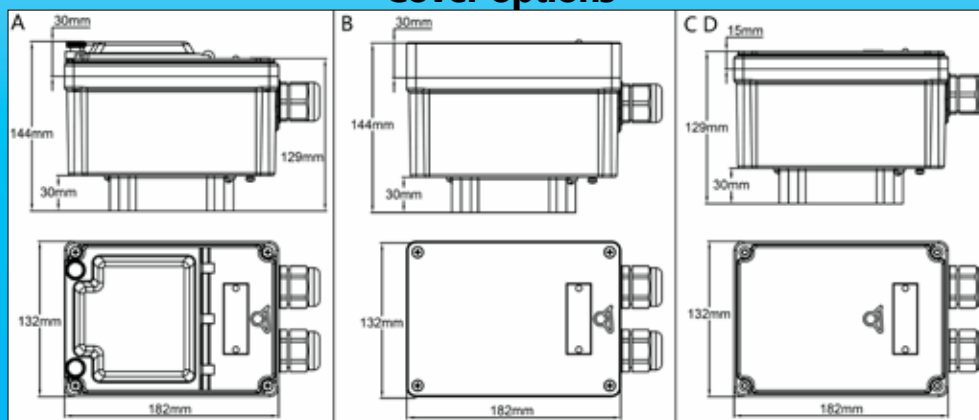
Basic references, with aluminum cover, dia 91mm hole backside, cable gland not included*

No cable gland hole.	Y3R9U00B90TTOXA0
1 x M20 x 1.5 thread (T1).	Y3R9UM1B90TTOXA0
1 x M25 x 1.5 thread (T1).	Y3R9UM3B90TTOXA0
2 x M20 x 1.5 threads (T1+T2).	Y3R9UM8B90TTOXA0
2 x M25 x 1.5 threads (T1+T2).	Y3R9UM9B90TTOXA0
2x dia 20 holes for DIN 43650A connectors(T1+T2)**	Y3R9U1GB90TTOXA0

* This type, with EX-e cable gland, can be fitted with thermostats for explosive areas. See catalogue N°4

** This output is mandatory for models with 2 K thermostats

Cover options



View	Description	References
A	Plastic cover with window	Replace B in the basic reference by A
B	Aluminum cover. (standard)	See basic references
C	Plastic cover, black color.	Replace B in the basic reference by C
D	Plastic cover, clear.	Replace B in the basic reference by D