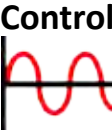


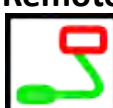

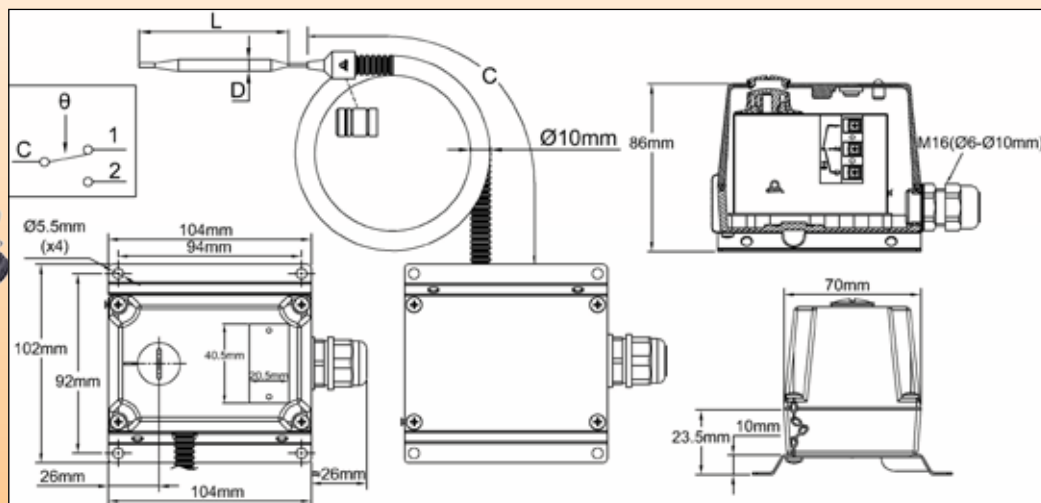


# The Y1 range of thermostats with IP65 enclosures

## Bulb and capillary thermostats (Liquid expansion measurement)

Type	Adjustment	Contact	Measurement	Range °C	Model
Control 	Screwed cap 	Single pole 	Remote 		<b>Y1H</b> <b>Thermostat</b> <b>KR, KU</b>



### Applications:

Remote control in usual industrial application and environment, not hazardous areas.

**Internal adjustment under screwed cap is convenient for products that must not be frequently adjusted, and avoid to remove the cover for set point adjustment**

Withstand very low ambient temperatures

Long electrical and mechanical life model

**Housing:** Aluminum, IP65, IK10, 104 x 102 x 86 mm. Mounted on a SUS304 stainless steel wall mounting plate. Grey RAL7032 epoxy painting

**Set point adjustment ranges:** -25+25°C (-15+80°F), -10+15°C (15-60°F), 0-50°C (32-120°F), 0-70°C (32-160°F), 20-90°C (70-195°F), 10-150°C (50-300°F), 80-200°C (175-390°F), 50-300°C (120-570°F), 10-450°C (50-840°F), 60-500°C (140-930°F), 180-600°C (360-1110°F), 280-700°C (540-1290°F).

**Temperature adjustment:** Set point adjustable by temperature printed internal knob, with access after removal of a screwed cap. Shipped with °C printed skirt fitted on the knob, and °F printed skirt in spare part. Printed skirt is replaceable without tool.

**Action:** temperature control.

**Sensing element:** Liquid expansion bulb and capillary. The capillary is protected by a stainless steel corrugated pipe terminated by a silicone tip. A plastic cap plug provided as standard accessory allows locking the flexible metal conduit inside a pocket (See pockets in the accessories section)

**Electrical connections:** Internal, on screw terminal connection block

**Earthing:** on internal screw terminal

**Cable output:** M16 cable gland, PA66, for cables up to 10 mm dia.

**Mounting:** Wall mounting, by 4 holes for screws dia. 4 to 5 mm, 94 x 92 mm distance

**Identification:** 20 x 40 mm stainless steel identification label, riveted.

**Contact:** SPDT

**Rating:** 15A res. 230/400VAC, electrical life >500.000 cycles.

Reduced differential models cannot be used in 400VAC

**Storage minimum temperature:** -50°C (-60°F)

## Main references

Temperature range °C (°F)	Standard differential		Reduced differential		Capillary length (C, mm)	Bulb diameter (D, mm)	Bulb length (E, mm)	Max. temperature on bulb °C (°F)
	References	Differential °C (°F)	References	Differential °C (°F)				
-25+25°C (-15+80°F)	Y1HKRA-25025220G	3±2°C (5.5±3.6 °F)	Y1HKUA-25025220G	2±1°C (3.6±1.8 °F)	1500	6.4	152	50°C (120°F)
-10+15°C (15-60°F)	Y1HKRA-10015220G	3±2°C (5.5±3.6 °F)	Y1HKUA-10015220G	2±1°C (3.6±1.8 °F)	1500	6.4	152	50°C (120°F)
0-50°C (32-120°F)	Y1HKRA000050200G	3±2°C (5.5±3.6 °F)	Y1HKUA000050200G	2±1°C (3.6±1.8 °F)	1500	6.4	152	60°C (140°F)
0-70°C (32-160°F)	Y1HKRA000070520G	5±3°C (9±5.4°F)	Y1HKUA000070520G	3±2°C (5.5±3.6 °F)	1500	4.8	130	160°C (320°F)
0-70°C (32-160°F)	Y1HKRA000070120G	5±3°C (9±5.4°F)	Y1HKUA000070120G	3±2°C (5.5±3.6 °F)	3000	4.8	130	160°C (320°F)
20-90°C (70-195°F)	Y1HKRA020090500G	5±3°C (9±5.4°F)	Y1HKUA020090500G	3±2°C (5.5±3.6 °F)	1500	4.8	130	160°C (320°F)
20-90°C (70-195°F)	Y1HKRA020090100G	5±3°C (9±5.4°F)	Y1HKUA020090100G	3±2°C (5.5±3.6 °F)	3000	4.8	130	160°C (320°F)
10-150°C (50-300°F)	Y1HKRA010150500G	5±3°C (9±5.4°F)	Y1HKUA010150500G	3±2°C (5.5±3.6 °F)	1500	4.8	130	160°C (320°F)
10-150°C (50-300°F)	Y1HKRA010150100G	5±3°C (9±5.4°F)	Y1HKUA010150100G	3±2°C (5.5±3.6 °F)	3000	4.8	130	160°C (320°F)
80-200°C (175-390°F)	Y1HKRA080200010G	10±4°C (18±7°F)	Y1HKUA080200010G	7±3°C (12.5±5.4 °F)	1500	4	100	320°C (610°F)
50-300°C (120-570°F)	Y1HKRA050300010G	10±4°C (18±7°F)	Y1HKUA050300010G	7±3°C (12.5±5.4 °F)	1500	4	100	320°C (610°F)
10-450°C (50-840°F)	Y1HKRA010450700G	20±6°C (36±11°F)	Y1HKUA010450700G	12±4°C (22±7 °F)	1500	4.8	120	760°C (1400°F)
10-450°C (50-840°F)	Y1HKRA010450900G	20±6°C (36±11°F)	Y1HKUA010450900G	12±4°C (22±7 °F)	3000	4.8	120	760°C (1400°F)
60-500°C (140-930°F)	Y1HKRA060500700G	20±6°C (36±11°F)	Y1HKUA060500700G	12±4°C (22±7 °F)	1500	4.8	120	760°C (1400°F)
60-500°C (140-930°F)	Y1HKRA060500900G	20±6°C (36±11°F)	Y1HKUA060500900G	12±4°C (22±7 °F)	3000	4.8	120	760°C (1400°F)
180-600°C (360-1110°F)	Y1HKRA180600700G	20±6°C (36±11°F)	Y1HKUA180600700G	12±4°C (22±7 °F)	1500	4.8	120	760°C (1400°F)
180-600°C (360-1110°F)	Y1HKRA180600900G	20±6°C (36±11°F)	Y1HKUA180600900G	12±4°C (22±7 °F)	3000	4.8	120	760°C (1400°F)
280-700°C (540-1290°F)	Y1HKRA280700700G	20±6°C (36±11°F)	Y1HKUA280700800G	12±4°C (22±7 °F)	1500	3	300	760°C (1400°F)

Because of permanent improvement of our products, drawings, descriptions, features used on these data sheets are for guidance only and can be modified without prior advice

