

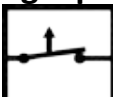

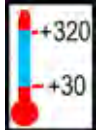
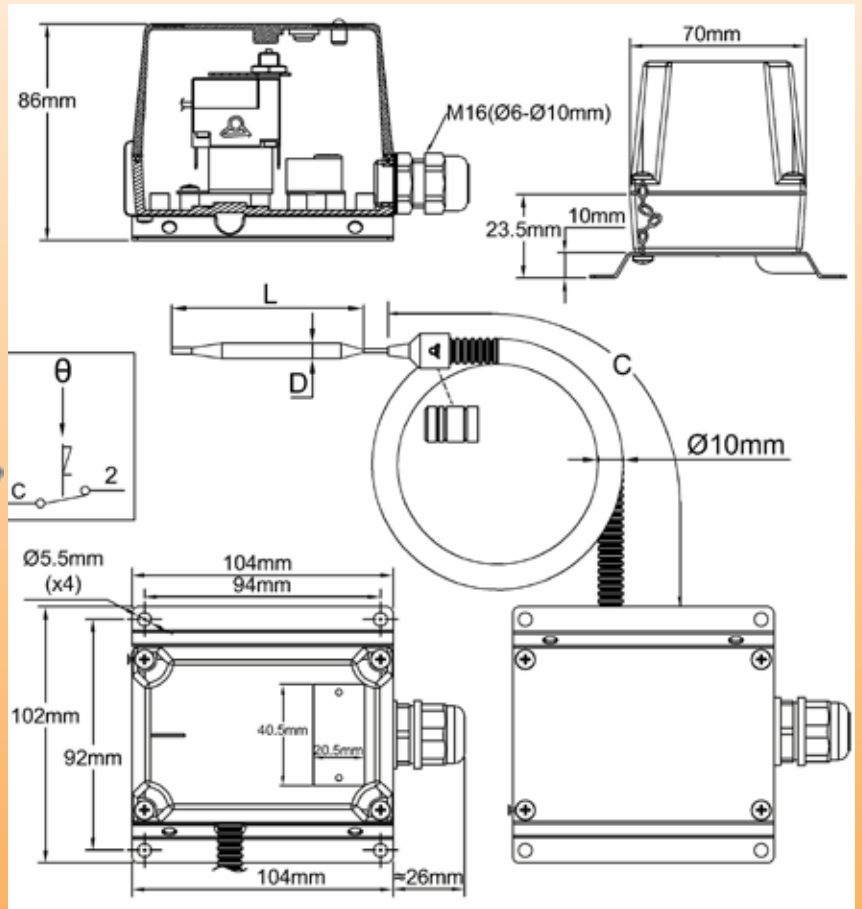


# The Y1 range of thermostats with IP65 enclosures

## Bulb and capillary thermostats (Liquid expansion measurement)

Type	Reset	Contact	Measurement	Range °C	Model
Manual reset 	Inside, sealed setting 	Single pole 	Remote 		<b>Y1K</b> <b>Limiter</b> <b>8L</b>



### Applications:

- Remote control in usual industrial application and environment, not hazardous areas, for use as **high limit safety**.

- **Sealed temperature set point**

- **Internal access is convenient for products that must not be frequently reset.**

*Standard electrical and mechanical life model*

**Housing:** Aluminum, IP65, IK10, 104 x 102 x 86 mm. Mounted on a SUS304 stainless steel wall mounting plate. Grey RAL7032 epoxy painting

**Set point calibration value:** 80±8°C (176±15°F), 90±8°C (194±15°F), 110±8°C (230±15°F), 130±8°C (266±15°F), 150±8°C (302±15°F), 175±8°C (347±15°F), 220±11°C (428±20°F), 270±13°C (518±23°F), 300±15°C (572±27°F). Other calibration temperature on request, between 30°C and 320°C (85°F and 610°F)

**Temperature adjustment:** fixed setting, sealed, no access to user.

**Action:** fail safe manual reset high temperature limit.

**Sensing element:** Liquid expansion bulb and capillary. The capillary is protected by a stainless steel corrugated pipe terminated by a silicone tip. A plastic cap plug provided as standard accessory allows locking the flexible metal conduit inside a pocket (See pockets in the accessories section)

**Electrical connections:** Inside, on screw terminal connection block

**Earthing:** on internal screw terminal

**Cable output:** M16 cable gland, PA66, for cables up to 10 mm dia.

**Mounting:** Wall mounting, by 4 holes for screws dia. 4 to 5 mm, 94 x 92 mm distance

**Identification:** 20 x 40 mm stainless steel identification label, riveted.

**Contact:** Single pole, open on rise (SPNC)

**Electrical rating:** 16A res. 250/400VAC

- Electrical life >6.000 cycles.

**Minimum Storage temperature:** -35°C (-30°F)





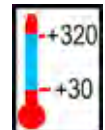
## Main references

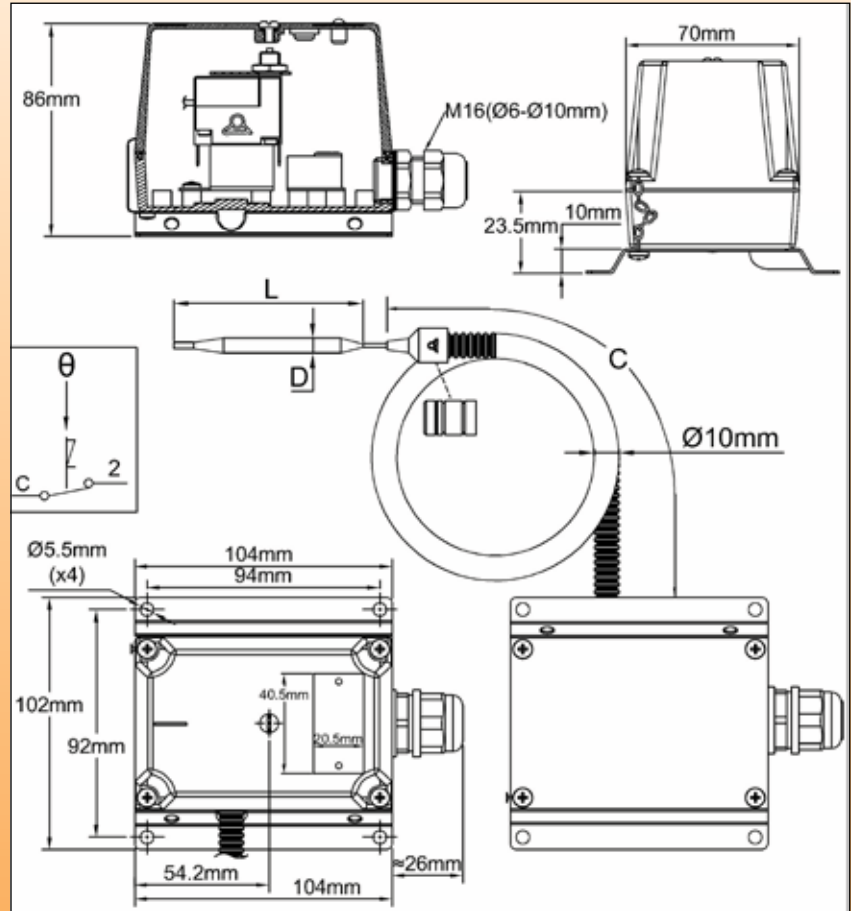
Reference	Calibration temperature °C (°F)	Minimum resettable temperature °C (°F)	Capillary length (mm)	Bulb diameter (mm)	Bulb length (mm)	Max temperature on bulb °C (°F)
Y1K8L0080105AO6G	80±8°C (176±15°F)	52°C (126°F)	1500	6	77	105°C (221°F)
Y1K8L0090115AO6G	90±8°C (194±15°F)	60°C (140°F)	1500	6	77	115°C (239°F)
Y1K8L0110135AO6G	110±8°C (230±15°F)	75°C (167°F)	1500	6	77	135°C (275°F)
Y1K8L0130155AO6G	130±8°C (266±15°F)	80°C (176°F)	1500	6	74	155°C (311°F)
Y1K8L0150175AO6G	150±8°C (302±15°F)	95°C (203°F)	1500	6	74	175°C (347°F)
Y1K8L0175200AO4G	175±8°C (347±15°F)	115°C (239°F)	1500	4	95	200°C (392°F)
Y1K8L0220245AO4G	220±11°C (428±20°F)	140°C (284°F)	1500	4	90	245°C (473°F)
Y1K8L0270295AO4G	270±13°C (518±23°F)	160°C (320°F)	1500	4	85	295°C (563°F)
Y1K8L0300325AO4G	300±15°C (572±27°F)	160°C (320°F)	1500	4	82	325°C (617°F)



# The Y1 range of thermostats with IP65 enclosures

## Bulb and capillary thermostats (Liquid expansion measurement)

Type	Reset	Contact	Measurement	Range °C	Model
Manual reset 	Screwed cap, sealed setting 	Single pole 	Remote 		<b>Y1L</b> <b>Limiter</b> <b>8L</b>



### Applications:

- Remote control in usual industrial application and environment, not hazardous areas, for use as **high limit safety**.
- **Sealed temperature set point**
- **M4 Screw cap access is convenient for reset without need to open the enclosure.**

### Standard electrical and mechanical life model

**Housing:** Aluminum, IP65, IK10, 104 x 102 x 86 mm. Mounted on a SUS304 stainless steel wall mounting plate. Grey RAL7032 epoxy painting

**Set point calibration value:** 80±8°C (176±15°F), 90±8°C (194±15°F), 110±8°C (230±15°F), 130±8°C (266±15°F), 150±8°C (302±15°F), 175±8°C (347±15°F), 220±11°C (428±20°F), 270±13°C (518±23°F), 300±15°C (572±27°F). Other calibration temperature on request, between 30°C and 320°C (85°F and 610°F)

Temperature adjustment: fixed setting, sealed, no access to user.

**Action:** fail safe manual reset high temperature limit.

**Sensing element:** Liquid expansion bulb and capillary. The capillary is protected by a stainless steel corrugated pipe terminated by a silicone tip. A plastic cap plug provided as standard accessory allows locking the flexible metal conduit inside a pocket (See pockets in the accessories section)

**Electrical connections:** Inside, on screw terminal connection block

**Earthing:** on internal screw terminal

**Cable output:** M16 cable gland, PA66, for cables up to 10 mm dia.

**Mounting:** Wall mounting, by 4 holes for screws dia. 4 to 5 mm, 94 x 92 mm distance

**Identification:** 20 x 40 mm stainless steel identification label, riveted.

**Contact:** Single pole, open on rise (SPNC)

**Electrical rating:** 16A res. 250/400VAC

- Electrical life >6.000 cycles.

**Minimum Storage temperature:** -35°C (-30°F)

## Main references





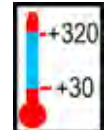
Reference	Calibration temperature °C (°F)	Minimum resettable temperature °C (°F)	Capillary length (mm)	Bulb diameter (mm)	Bulb length (mm)	Max temperature on bulb °C (°F)
Y1L8L0080105AO6G	80±8°C (176±15°F)	52°C (126°F)	1500	6	77	105°C (221°F)
Y1L8L0090115AO6G	90±8°C (194±15°F)	60°C (140°F)	1500	6	77	115°C (239°F)
Y1L8L0110135AO6G	110±8°C (230±15°F)	75°C (167°F)	1500	6	77	135°C (275°F)
Y1L8L0130155AO6G	130±8°C (266±15°F)	80°C (176°F)	1500	6	74	155°C (311°F)
Y1L8L0150175AO6G	150±8°C (302±15°F)	95°C (203°F)	1500	6	74	175°C (347°F)
Y1L8L0175200AO4G	175±8°C (347±15°F)	115°C (239°F)	1500	4	95	200°C (392°F)
Y1L8L0220245AO4G	220±11°C (428±20°F)	140°C (284°F)	1500	4	90	245°C (473°F)
Y1L8L0270295AO4G	270±13°C (518±23°F)	160°C (320°F)	1500	4	85	295°C (563°F)
Y1L8L0300325AO4G	300±15°C (572±27°F)	160°C (320°F)	1500	4	82	325°C (617°F)

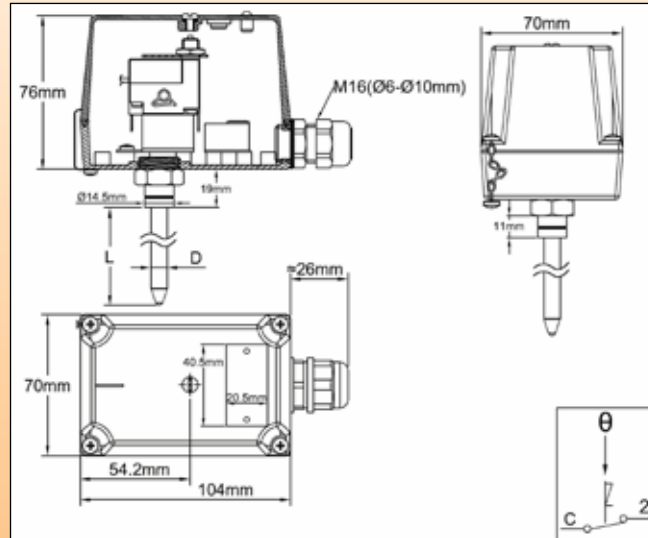
Because of permanent improvement of our products, drawings, descriptions, features used on these data sheets are for guidance only and can be modified without prior advice



# The Y1 range of thermostats with IP65 enclosures

## High limit Rod thermostats (Liquid expansion measurement)

Type	Reset	Contact	Measurement	Range °C	Model
Manual reset 	Screwed cap, sealed setting 	Single pole 	Rod 		<b>Y1V</b> <b>Limiter</b> <b>8L</b>



### Applications:

- Remote control in usual industrial application and environment, not hazardous areas, for use as **high limit safety**.

- **Sealed temperature set point**

- **M4 Screw cap access is convenient for reset without need to open the enclosure.**

*Standard electrical and mechanical life model*

**Housing:** Aluminum, IP65, IK10, 104 x 102 x 86 mm. Mounted on a SUS304 stainless steel wall mounting plate. Grey RAL7032 epoxy painting

**Set point calibration value:** 80±8°C (176±15°F), 90±8°C (194±15°F), 110±8°C (230±15°F), 130±8°C (266±15°F), 150±8°C (302±15°F), 175±8°C (347±15°F), 220±11°C (428±20°F), 270±13°C (518±23°F), 300±15°C (572±27°F). Other calibration temperature on request, between 30°C and 320°C (85°F and 610°F)

**Temperature adjustment:** fixed setting, sealed, no access to user.

**Action:** fail safe manual reset high temperature limit.

**Sensing element:** Liquid expansion rod. This rod has a non-temperature sensing zone named dead zone which allows thermal insulation crossing. An increased diameter under the thermostat head allows mounting pockets or brackets (See pockets in the accessories section)

**Electrical connections:** Inside, on screw terminal connection block

**Earthing:** on internal screw terminal

**Cable output:** M16 cable gland, PA66, for cables up to 10 mm dia.

**Mounting:** On pockets for liquid immersion or brackets for air ducts

**Identification:** 20 x 40 mm stainless steel identification label, riveted.

**Contact:** Single pole, open on rise (SPNC)

**Electrical rating:** 16A res. 250/400VAC

- Electrical life >6.000 cycles.

**Minimum Storage temperature:** -35°C (-30°F)

## Main references

Reference	Calibration temperature °C (°F)	Minimum resettable temperature °C (°F)	Rod length (C, mm)	Rod diameter (D, mm)	Temperature sensing length (E, mm)	Max. temperature on rod °C (°F)
Y1V8L0080105811C	80±8°C (176±15°F)	52°C (126°F)	110	8	77	105°C (221°F)
Y1V8L0080105823C	80±8°C (176±15°F)	52°C (126°F)	230	8	77	105°C (221°F)
Y1V8L0080105830C	80±8°C (176±15°F)	52°C (126°F)	300	8	77	105°C (221°F)
Y1V8L0090115811C	90±8°C (194±15°F)	60°C (140°F)	110	8	77	115°C (239°F)
Y1V8L0090115823C	90±8°C (194±15°F)	60°C (140°F)	230	8	77	115°C (239°F)
Y1V8L0090115830C	90±8°C (194±15°F)	60°C (140°F)	300	8	77	115°C (239°F)
Y1V8L0110135811C	110±8°C (230±15°F)	75°C (167°F)	110	8	77	135°C (275°F)
Y1V8L0110135823C	110±8°C (230±15°F)	75°C (167°F)	230	8	77	135°C (275°F)
Y1V8L0110135830C	110±8°C (230±15°F)	75°C (167°F)	300	8	77	135°C (275°F)
Y1V8L0130155811C	130±8°C (266±15°F)	80°C (176°F)	110	8	74	155°C (311°F)
Y1V8L0130155823C	130±8°C (266±15°F)	80°C (176°F)	230	8	74	155°C (311°F)
Y1V8L0130155830C	130±8°C (266±15°F)	80°C (176°F)	300	8	74	155°C (311°F)
Y1V8L0150175811C	150±8°C (302±15°F)	95°C (203°F)	110	8	74	175°C (347°F)
Y1V8L0150175823C	150±8°C (302±15°F)	95°C (203°F)	230	8	74	175°C (347°F)
Y1V8L0150175830C	150±8°C (302±15°F)	95°C (203°F)	300	8	74	175°C (347°F)
Y1V8L0175200823C	175±8°C (347±15°F)	115°C (239°F)	230*	8	95	200°C (392°F)
Y1V8L0175200830C	175±8°C (347±15°F)	115°C (239°F)	300	8	95	200°C (392°F)
Y1V8L0175200845C	175±8°C (347±15°F)	115°C (239°F)	450	8	95	200°C (392°F)
Y1V8L0220245823C	220±11°C (428±20°F)	140°C (284°F)	230*	8	90	245°C (473°F)
Y1V8L0220245830C	220±11°C (428±20°F)	140°C (284°F)	300	8	90	245°C (473°F)
Y1V8L0220245845C	220±11°C (428±20°F)	140°C (284°F)	450	8	90	245°C (473°F)
Y1V8L0270295823C	270±13°C (518±23°F)	160°C (320°F)	230*	8	85	295°C (563°F)
Y1V8L0270295830C	270±13°C (518±23°F)	160°C (320°F)	300	8	85	295°C (563°F)
Y1V8L0270295845C	270±13°C (518±23°F)	160°C (320°F)	450	8	85	295°C (563°F)
Y1V8L0300325823C	300±15°C (572±27°F)	160°C (320°F)	230*	8	82	325°C (617°F)
Y1V8L0300325830C	300±15°C (572±27°F)	160°C (320°F)	300	8	82	325°C (617°F)
Y1V8L0300325845C	300±15°C (572±27°F)	160°C (320°F)	450	8	82	325°C (617°F)

\* Shorter rods are not recommended, because of heat transfer to the thermostat head. Other rod lengths possible up to 1500 mm

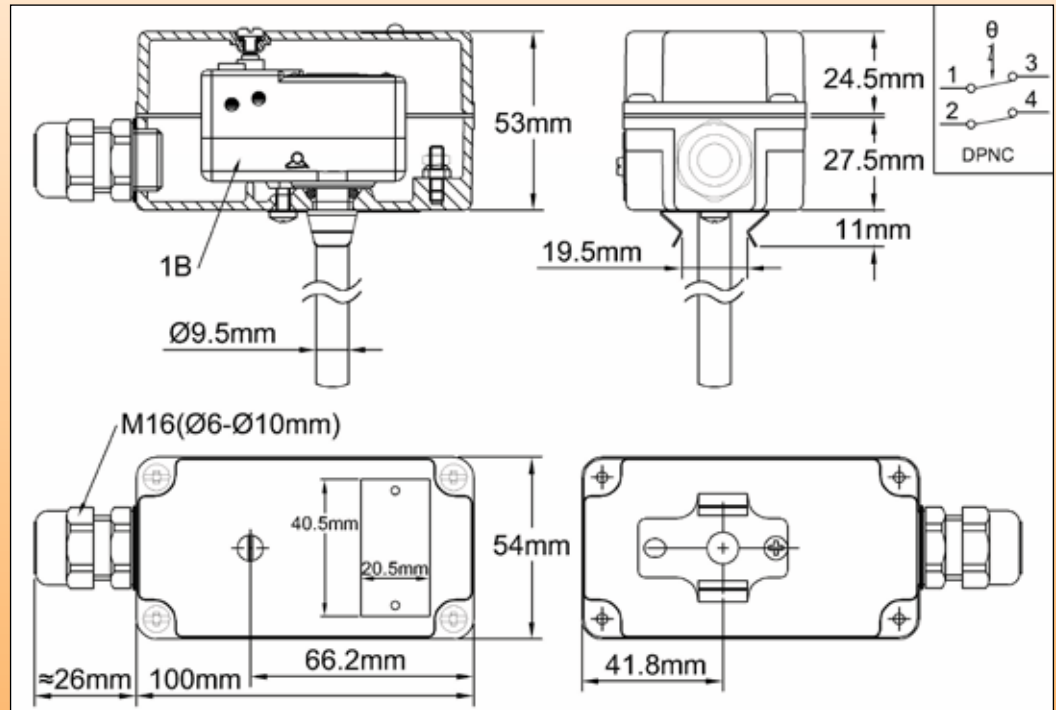
Because of permanent improvement of our products, drawings, descriptions, features used on these data sheets are for guidance only and can be modified without prior advice



# The Y1 range of thermostats with IP65 enclosures

## Adjustable high limit rod thermostats (bimetal expansion measurement)

Type	Set point adjustment	Manual reset access	Contact	Measurement	Range °C	Model
Manual reset 	Internal 	Screwed cap 	Single pole 	Rod 		<b>Y1Y</b> <b>Adjustable limiter</b> <b>1X</b>



### Applications:

#### - Changeover contact for switch off remote signaling

These bimetal rod thermostats can be installed inside pockets as immersion thermostats in pipelines and containers, and for use as high limit safety, in air ducts, in usual industrial application and environment. (Not suitable for hazardous areas).

- Small footprint enclosure
- Internal adjustment is convenient for products that must not be frequently adjusted.
- Manual reset with internal access under M4 screwed cap allows to reset without need to open the enclosure.
- Short response time
- Low sensibility to strong vibrations

#### Long electrical and mechanical life model

**Housing:** Aluminum, IP65, IK10, 100 x 53 x 54mm. Grey RAL7032 epoxy painting

**Set point adjustment ranges:** 10+130°C (+14+264°F), +15+95°C (+59+203°F), +25+165°C (+77+329°F).

**Temperature adjustment:** Set point adjustable by arrow style knob, on °C printed dial. Consult us for °F versions

**Action:** High limit with manual reset and adjustable set point

**Sensing element:** Bimetal rod, stainless steel-Invar. A clip under the thermostat head allows mounting pockets or brackets (See pockets in the accessories section)

**Electrical connections:** on thermostat screw terminals

**Earthing:** on internal screw terminal

**Cable output:** M16 cable gland, PA66, for cables up to 10 mm dia.

**Mounting:** on pockets for liquid immersion or flange for air ducts

**Identification:** 20 x 40 mm stainless steel identification label, riveted.

**Contact:** SPDT

**Electrical rating:** 15A (4)A 250V/400VAC. Res.

**Electrical life** >100,000 cycles.

**Storage minimum temperature:** -50°C (-60°F)

## Main references

Temperature range °C (°F)	Rod length (mm)	Reference with standard differential	Min reset differential value °C (°F)	Max. temperature on rod °C (°F)
-10+130°C (+14+264°F)	200	Y1Y1XA-10130B20L	20°C (36°F)	180°C (356°F)
+15+95°C (+59+203°F)	200	Y1Y1XA015095B20L	20°C (36°F)	145°C (293°F)
+15+95°C (+59+203°F)	300	Y1Y1XA015095B30L	15°C (27°F)	145°C (293°F)
+25+165°C (+77+329°F)	200	Y1X1XA025165B20L	20°C (36°F)	215°C (419°F)

Because of permanent improvement of our products, drawings, descriptions, features used on these data sheets are for guidance only and can be modified without prior advice

