




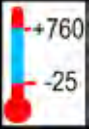
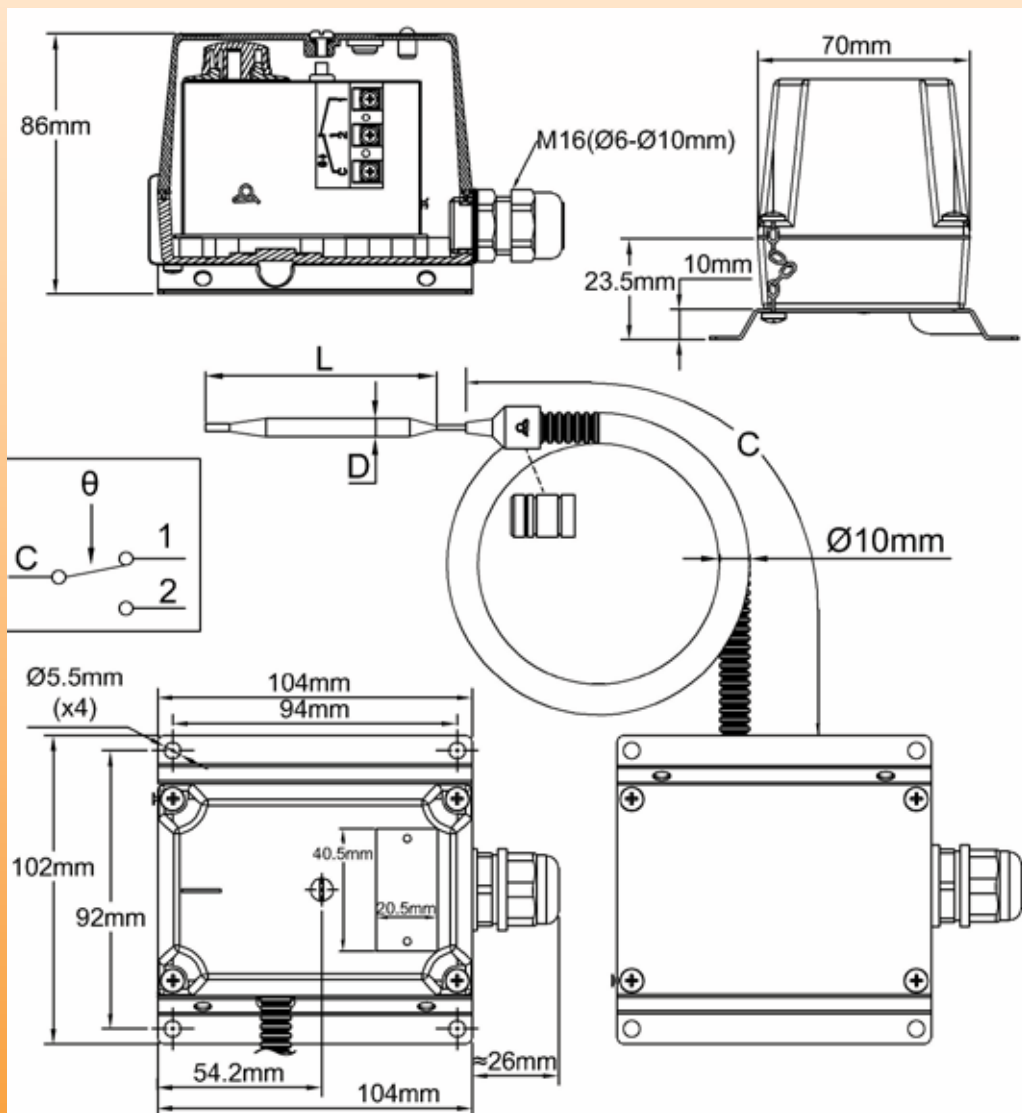


The Y1 range of thermostats with IP65 enclosures

Bulb and capillary thermostats (Liquid expansion measurement)

Type	Set point adjustment	Manual reset access	Contact	Measurement	Range°C	Model
Manual reset 	Internal 	Screwed cap 	Single pole 	Remote 		Y1M Adjustable limiter KX



Applications:

- Remote control in usual industrial application and environment, not hazardous areas, for use as **high limit safety**.
- **Changeover contact for switch off remote signaling**
- **Manual reset with internal access under M4 screwed cap allows to reset without need to open the enclosure.**
- Exist with adjustable set point or with fixed and sealed setting without access for user
- **Internal adjustment is convenient for products that must not be frequently adjusted.**

Withstand very low ambient temperatures

Long electrical and mechanical life model

Housing: Aluminum, IP65, IK10, 104 x 102 x 86 mm. Mounted on a SUS304 stainless steel wall mounting plate. Grey RAL7032 epoxy painting

Set point adjustment ranges: -25+25°C (-15+80°F), -10+15°C (15-60°F), 0-50°C (32-120°F), 0-70°C (32-160°F), 20-90°C (70-195°F), 10-150°C (50-300°F), 80-200°C (175-390°F), 50-300°C (120-570°F), 10-450°C (50-840°F), 60-500°C (140-930°F), 180-600°C (360-1110°F), 280-700°C (540-1290°F), or fixed setting between -25 and +760°C (-15+1400°F)

Temperature adjustment: Set point adjustable by temperature printed **internal knob**. Shipped with °C printed skirt fitted on the knob, and °F printed skirt in spare part. Printed skirt is replaceable without tool.

Fixed sealed setting model does not have knob.

Action: High limit with manual reset

Sensing element: Liquid expansion bulb and capillary. The capillary is protected by a stainless steel corrugated pipe terminated by a silicone tip. A plastic cap plug provided as standard accessory allows locking the flexible metal conduit inside a pocket (See pockets in the accessories section)

Electrical connections: Internal, on screw terminal connection block

Earthing: on internal screw terminal

Cable output: M16 cable gland, PA66, for cables up to 10 mm dia.

Mounting: Wall mounting, by 4 holes for screws dia. 4 to 5 mm, 94 x 92 mm distance

Identification: 20 x 40 mm stainless steel identification label, riveted.

Contact: SPDT

Rating: 15A res. 230/400VAC, electrical life >100.000 cycles.

Storage minimum temperature: -50°C (-60°F)

Fail safe: some of these products can be made with fail safe manual reset. References on request

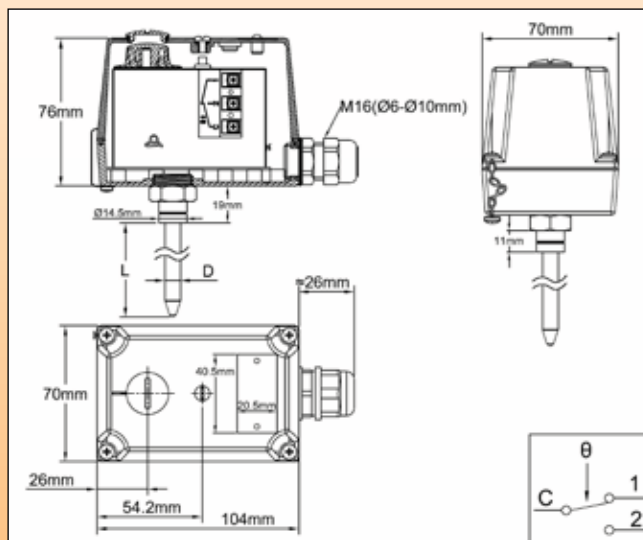
Because of permanent improvement of our products, drawings, descriptions, features used on these data sheets are for guidance only and can be modified without prior advice



The Y1 range of thermostats with IP65 enclosures

Adjustable high limit rod thermostats (Liquid expansion measurement)

Type	Set point adjustment	Manual reset access	Contact	Measurement	Range °C	Model
Manual reset 	Screwed cap 	Screwed cap 	Single pole 	Rod 		Y1X Adjustable limiter KX



Applications:

- Remote control in usual industrial application and environment, not hazardous areas, for use as **high limit safety**.
- **Changeover contact for switch off remote signaling**
- **Internal adjustment under screwed cap is convenient for products that must be occasionally adjusted.**
- **Manual reset with internal access under M4 screwed cap allows to reset without need to open the enclosure.**

Withstand very low ambient temperatures
Long electrical and mechanical life model

Housing: Aluminum, IP65, IK10, 104 x 102 x 86 mm. Mounted on a SUS304 stainless steel wall mounting plate. Grey RAL7032 epoxy painting

Set point adjustment ranges: 0-50°C (32-120°F), 0-70°C (32-160°F), 20-90°C (70-195°F), 10-150°C (50-300°F), 80-200°C (175-390°F), 50-300°C (120-570°F), 10-450°C (50-840°F), 60-500°C (140-930°F), 180-600°C (360-1110°F), 280-700°C (540-1290°F).

Temperature adjustment: Set point adjustable by temperature printed **internal knob**. Shipped with °C printed skirt fitted on the knob, and °F printed skirt in spare part. Printed skirt is replaceable without tool.

Action: High limit with manual reset

Sensing element: Liquid expansion rod. This rod has a non-temperature sensing zone named dead zone which allows thermal insulation crossing. An increased diameter under the thermostat head allows mounting pockets or brackets (See pockets in the accessories section)

Electrical connections: Internal, on screw terminal connection block

Earthing: on internal screw terminal

Cable output: M16 cable gland, PA66, for cables up to 10 mm dia.

Mounting: On pockets for liquid immersion or brackets for air ducts

Identification: 20 x 40 mm stainless steel identification label, riveted.

Contact: SPDT

Rating: 15A res. 230/400VAC, electrical life >100.000 cycles.

Storage minimum temperature: -50°C (-60°F)

Fail safe: some of these products can be made with fail safe manual reset. References on request

Main references






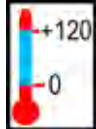
Temperature range °C (°F)	References	Minimum manual reset differential °C (°F)	Rod length (C, mm)	Rod diameter (D, mm)	Temperature sensing length (E, mm)	Max. temperature on rod °C (°F)
0-50°C (32-120°F)	Y1XKXA000050023C	6°C (11 °F)	230	10	152	60°C (140°F)
0-50°C (32-120°F)	Y1XKXA000050030C	6°C (11 °F)	300	10	152	60°C (140°F)
0-50°C (32-120°F)	Y1XKXA000050045C	6°C (11 °F)	450	10	152	60°C (140°F)
0-70°C (32-160°F)	Y1XKXA000070823C	15°C (27°F)	230	8	120	160°C (320°F)
0-70°C (32-160°F)	Y1XKXA0000705830C	15°C (27°F)	300	8	120	160°C (320°F)
0-70°C (32-160°F)	Y1XKXA0000705845C	15°C (27°F)	450	8	120	160°C (320°F)
20-90°C (70-195°F)	Y1XKXA020090823C	15°C (27°F)	230	8	120	160°C (320°F)
20-90°C (70-195°F)	Y1XKXA020090830C	15°C (27°F)	300	8	120	160°C (320°F)
20-90°C (70-195°F)	Y1XKXA020090845C	15°C (27°F)	450	8	120	160°C (320°F)
10-150°C (50-300°F)	Y1XKXA010150823C	15°C (27°F)	230	8	120	160°C (320°F)
10-150°C (50-300°F)	Y1XKXA010150830C	15°C (27°F)	300	8	120	160°C (320°F)
10-150°C (50-300°F)	Y1XKXA010150845C	15°C (27°F)	450	8	120	160°C (320°F)
80-200°C (175-390°F)	Y1XKXA080200823C	30°C (54°F)	230	8	100	320°C (610°F)
80-200°C (175-390°F)	Y1XKXA080200830C	30°C (54°F)	300	8	100	320°C (610°F)
80-200°C (175-390°F)	Y1XKXA080200845C	30°C (54°F)	450	8	100	320°C (610°F)
50-300°C (120-570°F)	Y1XKXA050300830C	30°C (54°F)	300*	8	100	320°C (610°F)
50-300°C (120-570°F)	Y1XKXA05030045C	30°C (54°F)	450	8	100	320°C (610°F)
10-450°C (50-840°F)	Y1XKXA010450845C	60°C (108°F)	450*	8	120	760°C (1400°F)
60-500°C (140-930°F)	Y1XKXA060500845C	60°C (108°F)	450*	8	120	760°C (1400°F)
180-600°C (360-1110°F)	Y1XKXA180600845C	60°C (108°F)	450*	8	120	760°C (1400°F)
280-700°C (540-1290°F)	Y1XKXA280700645C	60°C (108°F)	450*	6	300	760°C (1400°F)

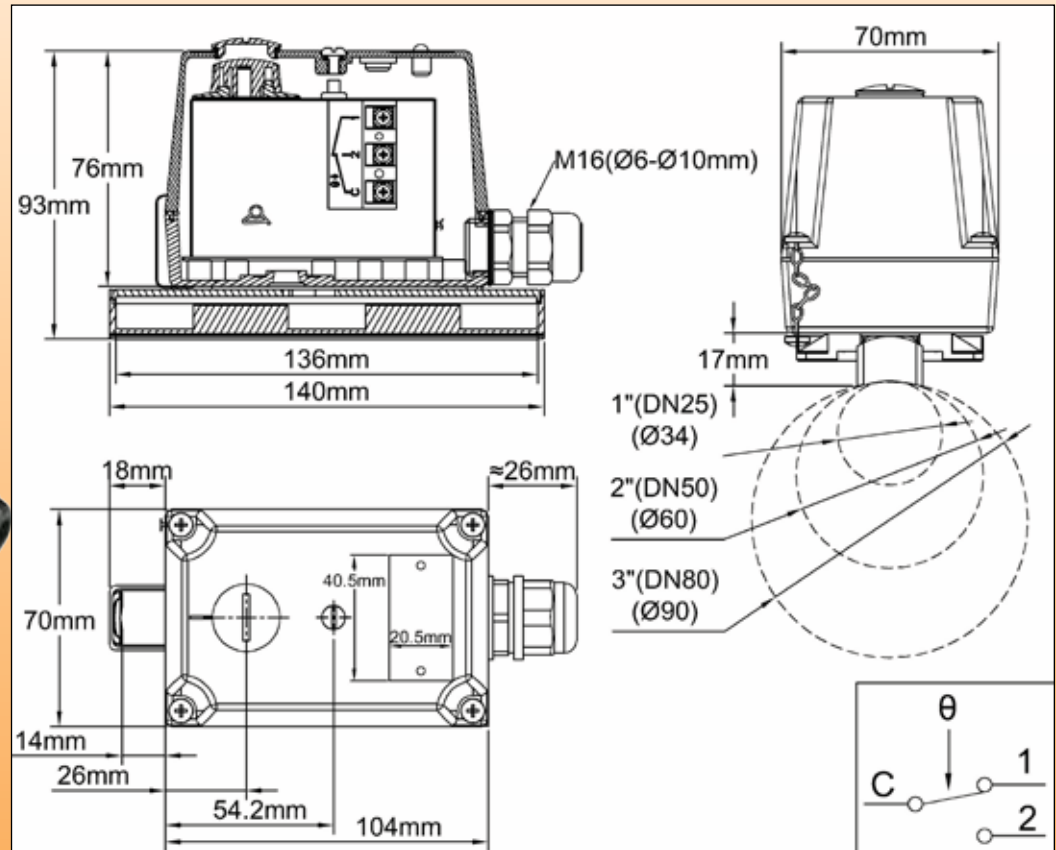
* Shorter rods are not recommended, because of heat transfer to the thermostat head. Other rod lengths possible up to 1500 mm



The Y1 range of thermostats with IP65 enclosures

Pipe temperature control thermostats (Liquid expansion measurement)

Type	Set point adjustment	Manual reset access	Contact	Measurement	Range °C	Model
Manual reset 	Screwed cap 	Screwed cap 	Single pole 	Pipe mounting 		Y15 Adjustable limiter KX



Applications:

Pipe surface temperature control in usual industrial application and environment for use as **high limit safety**. (Not suitable for hazardous areas)

- **Changeover contact for switch off remote signaling**
- **Internal adjustment under screwed cap is convenient for products that must be occasionally adjusted.**
- **Manual reset with internal access under M4 screwed cap allows to reset without need to open the enclosure.**

Withstand very low ambient temperatures

Long electrical and mechanical life model

Housing: Aluminum, IP65, IK10, 104 x 102 x 86 mm, with backside pipe mounting temperature sensing aluminum bracket Grey RAL7032 epoxy painting

Set point adjustment ranges: 0-70°C (32-160°F), 20-90°C (70-195°F), 20-120°C (68-248°F)

Temperature adjustment: Set point adjustable by temperature printed **internal knob**. Shipped with °C printed skirt fitted on the knob, and °F printed skirt in spare part. Printed skirt is replaceable without tool.

Action: High limit with manual reset

Sensing element: Liquid expansion bulb inside aluminum bracket in contact with the pipe surface.

The bracket design provides optimized thermal contact with 34 mm (1", DN25), 60 mm (2", DN50) and 90 mm (3", DN80) outside diameter tubes. For intermediate sizes, we recommend the use of thermal grease

Electrical connections: Internal, on screw terminal connection block

Earthing: on internal screw terminal

Cable output: M16 cable gland, PA66, for cables up to 10 mm dia.

Mounting: The thermostat housing can be fixed on the pipe by worm drive hose clamps DIN(3017), nylon cable ties (Tie wraps upon EN50146 for applications at permanent temperature lower than 85°C) or specific stainless steel punched band (see accessories at the end of this catalog).

Identification: 20 x 40 mm stainless steel identification label, riveted.

Contact: SPDT

Rating: 15A res. 230/400VAC, electrical life >100.000 cycles.

Storage minimum temperature: -50°C (-60°F)

Fail safe: some of these products can be made with fail safe manual reset. References on request

Main references

Temperature range °C (°F)	References	Minimum manual reset differential °C (°F)	Max. temperature on tube °C (°F)
0-70°C (32-160°F)	Y15KXA000070500T	15°C (27°F)	160°C (320°F)
20-90°C (70-195°F)	Y15KXA020090500T	15°C (27°F)	160°C (320°F)
20-120°C (68-248°F)	Y15KXA020120500T	15°C (27°F)	160°C (320°F)

Because of permanent improvement of our products, drawings, descriptions, features used on these data sheets are for guidance only and can be modified without prior advice

