

# Main bulb and capillary thermostats used in the Y housings

## Type 8X DPNC manual reset high limit, fail safe



**Housing dimensions:** 43 x 35 x 29 mm (without terminals and diaphragm)

**Capillary:** copper, capillary length 250mm or 900 mm, 150 mm long PVC sleeve on capillary. Capillary minimum bending radius 5 mm.

For technical reasons, we do not recommend to use capillary length longer than 900 mm.

**Bulb:** copper, corkscrew type for temperatures from 60 to 130°C, tubular dia 6 mm from 130°C to 170°C

**Temperature sensing element:** Liquid-filled thermostatic assembly whose boiling causes tripping of the contact. Therefore, unlike liquid filled systems, these thermostats are sensitive to atmospheric pressure, and their reaction time is slower.

**Terminals:** 6.35 x 0.8 quick connect terminals Adjustment: fixed setting

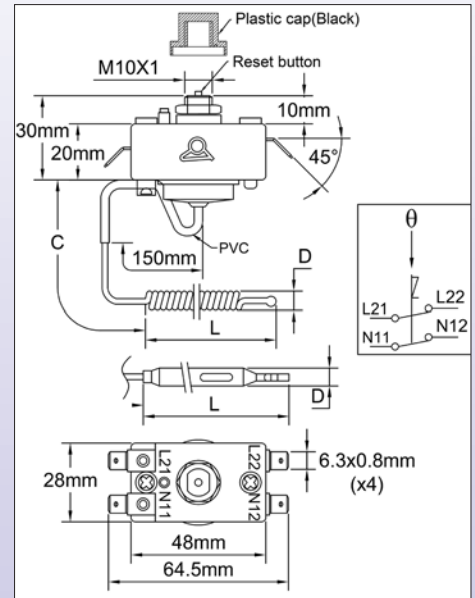
**Mounting:** Front bushing, with M10x1

**Manual reset:** fail safe action, front access button

**Rating:** 20A 250VAC

**Contacts:** DPST (snap action contact)

**Max ambient temperature on head:** 125°C



### Main references

Reference	Calibration Temperature (°C)	Minimum resettable temperature (°C)	Capillary length (mm)	Bulb diameter (mm)	Bulb length (mm)	Max temperature on bulb (°C)
8X0060090AI61001	60+/-5	20	900	6	50	90
8X0060090AA61001	60+/-5	20	250	6	50	90
8X0070100AI61001	70+/-5	30	900	6	50	100
8X0080110AI61001	80+/-5	40	900	6	50	110
8X0090120AI61001	90+/-5	50	900	6	50	120
8X0110140AI61001	110+/-5	70	900	6	50	140
8X0130160AI61001	130+/-6	90	900	6	60*	160
8X0150180AI61001	150+/-7	110	900	6	60*	180
8X0170200AI61001	170+/-7	130	900	6	60*	200

\* Cylinder bulb

Because of permanent improvement of our products, drawings, descriptions, features used on these data sheets are for guidance only and can be modified without prior advice

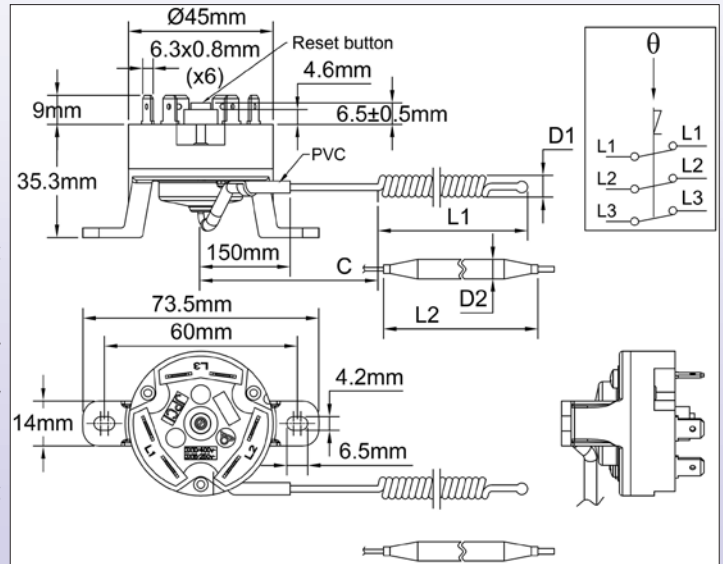


# Main bulb and capillary thermostats used in the Y housings

## Type 82 3 pole manual reset high limit, fail safe



**Housing dimensions:** dia 45 x 44.3 mm  
**Capillary:** copper, capillary length 250mm or 900 mm, 150 mm long PVC sleeve on capillary. Capillary minimum bending radius 5 mm. For technical reasons, we do not recommend to use capillary length longer than 900 mm.  
**Bulb:** copper, corkscrew type for temperatures from 60 to 130°C, tubular dia 6 mm from 130°C to 170°C  
**Temperature sensing element:** Liquid-filled thermostatic assembly whose boiling causes tripping of the contact. Therefore, unlike liquid filled systems, these thermostats are sensitive to atmospheric pressure, and their reaction time is slower.  
**Terminals:** 6.35 x 0.8 quick connect terminals  
**Adjustment:** fixed setting  
**Mounting:** Backside legs, 2 M4 screws, holes distance 60 mm  
**Manual reset:** fail safe action, center button  
**Rating:** 3 x16A 250VAC, 3 x10A 400VAC  
**Contacts:** ST, open on temperature rise (snap action contact)  
**Max ambient temperature on head:** 150°C



### Main references

Reference	Calibration temperature (°C)	Minimum resettable temperature (°C)	Capillary length (mm)	Bulb diameter (mm)	Bulb length (mm)	Max temperature on bulb (°C)
820060090AI61001	60+/-5	20	900	6	50	90
820060090AA61001	60+/-5	20	250	6	50	90
820070100AI61001	70+/-5	30	900	6	50	100
820080110AI61001	80+/-5	40	900	6	50	110
820090120AI61001	90+/-5	50	900	6	50	120
820110140AI61001	110+/-5	70	900	6	50	140
820130160AI61001	130+/-6	90	900	6	60*	160
820150180AI61001	150+/-7	110	900	6	60*	180
820170200AI61001	170+/-7	130	900	6	60*	200

\* Cylinder bulb

Because of permanent improvement of our products, drawings, descriptions, features used on these data sheets are for guidance only and can be modified without prior advice

