

48 x 48, Intelligent PID Temperature Controller, double display, multisensor, power relay and SSR (solid state relay) outputs

Type: 244



Reduced size: very small foot print allows it to replace any electromechanical thermostat.

Simple installation interface: auto-tune PID control, relay output and SSR output are standardized.

Simple storage and maintenance: one model covers all applications.

Electronics: Microprocessor, using fuzzy Logic technology. It enables a process to reach a predetermined set point in the shortest time, with the minimum of overshoot during power-up or external load disturbance.

Input: RTD: Pt 100, Cu50, Thermocouple: T, R, J, B, S, K, E, Wre-Wre25.

Output: relay output or voltage pulse.

Alarm: the relay output can be used for an alarm when the device uses the SSR output.

Operation: auto-tune function set the PID parameters to the system characteristics.

Power supply voltage: AC 36~260V 50-60Hz (DC 36~260V. If connected to DC power supply, terminal 1 is positive, terminal 2 is negative).

Power: < 3W.

Relay contact rating: AC220V/3A resistive, 30VDC/3A resistive (NO or NC), 1x105 cycles.

Voltage pulse output: 8V (open-circuit voltage) 30mA (short-circuit current).

Temperature precision: 0.2%FS.

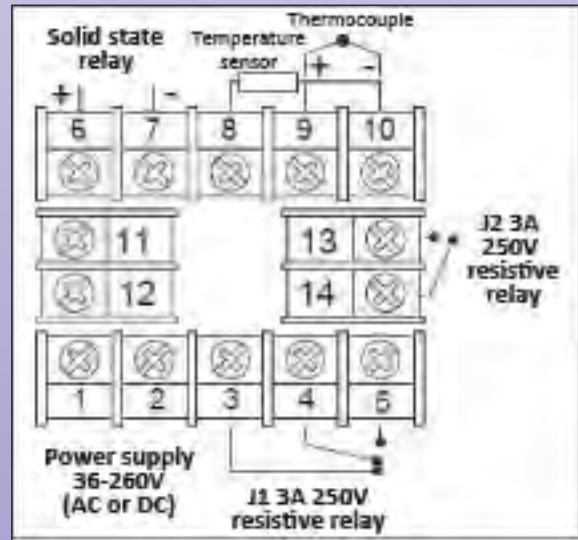
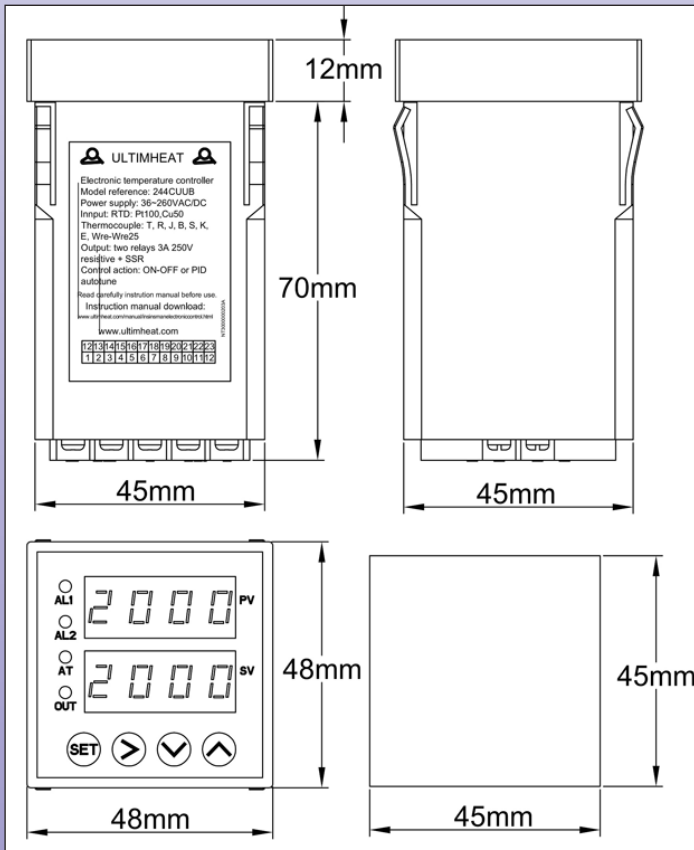
Over-scale, under-scale, and open circuit sensor display: EEEE.

Dimensions: 48 x 48 x 82mm.

Panel cut-out: 45 x 45 mm.

Ambient Temperature: 0 to 50°C, 0 to 85% RH

Connection:



Reference 244CUUB

Because of permanent improvement of our products, drawings, descriptions, features used on these data sheets are for guidance only and can be modified without prior advice

