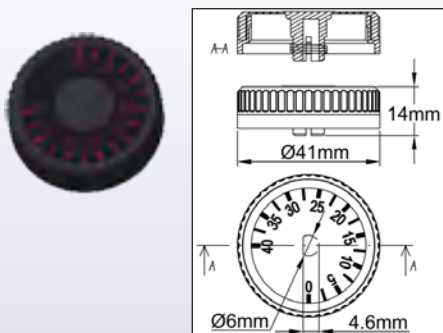


General options of control boxes

The options are factory assembled and are not available separately

Backlit knob



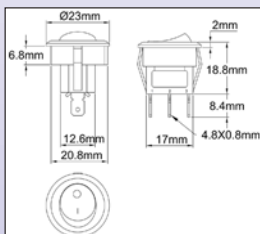
Intended for versions with room or capillary thermostats, this controller is equipped with internal lighting allowing by transparency a night viewing thermostat setting.

Reference with mounted option

To add this option on thermostatic control boxes on page 56 to 59, replace the 10th character No. 10 of the reference control box with "R"

Consult us for 120V versions

Illuminated On/Off switch



This illuminated switch is standard for electronic temperature control models. It is an option only for room or capillary thermostats versions as it reduces the electrical rating to 12A. It is not suitable with the three-phase bulb and capillary thermostats versions.

Product reference with this option assembled

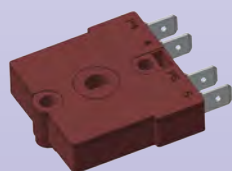
To add this option on thermostatic control boxes on page 56 to 67, replace the 10th character of the reference control box with "T"

Consult us for 120V version

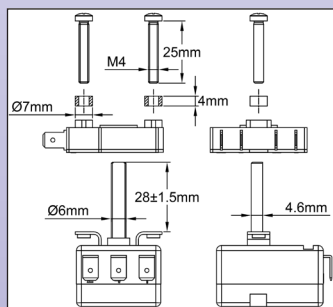
Combination of illuminated On/Off switch + Backlit knob:

To add this option on thermostatic control boxes on page XX, replace the 12th character of the reference control box with "S"

2 poles On/Off shaft switch for bulb and capillary thermostat



Assembly example



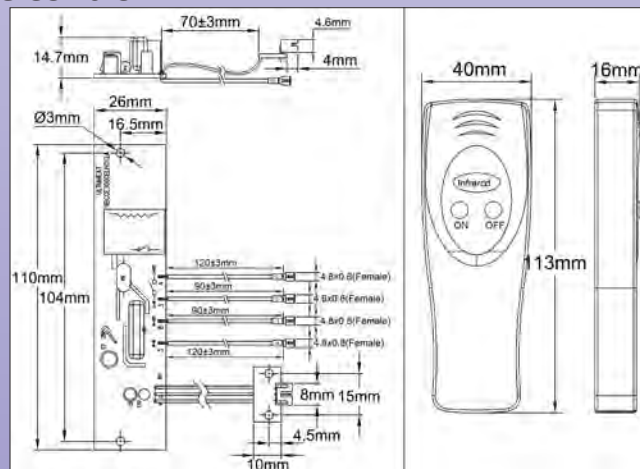
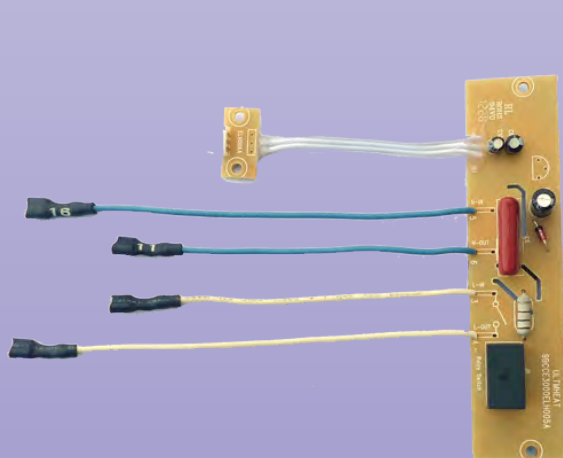
Only for adjustable bulb and capillary thermostats. This switch enables an off/off two poles action 16A 250V, activated when the knob is turned back to its minimum angle position. For foot print reasons, this option cannot be mounted with ranges above 320 ° C, nor on the three pole thermostats.

Reference with assembled option

To add this option on thermostatic control boxes on page 56 to 59, replace the 10th character of the control box reference with "P" (simple shaft switch) or with "Q" (shaft switch + backlit knob)

* Required by the EN60335-1S24-3 Standard

Infrared remote control



Used when the control boxes are located high or difficult to access. Allows remote start of control boxes, from up to 8 meters. Infrared control do not cause radio interference. Mounts on all control box models with window and terminal block (not possible junction boxes and Ground Fault Circuit Interrupter boxes). Current rating: 12A 250VAC.

Can be mounted in approved workshop, respecting the installation instructions on not originally equipped boxes.

References with mounted option

To add this option on electronic control boxes on pages 56 to 67, replace the 12th character of the reference control box with "R"

Consult us for 120V version

