



# Accessories for solid state relay boxes

## 92 x 92 mm x 25 fan for SSR forced cooling



**Power supply:** 220/230VAC

**Power:** 13W

**Frequency:** 50 à 60Hz

**Speed:** 2600 rd/min

**Noise level:** 20-26 dbA

**Connection:** 300 mm lead wires

**Flow rate:** 33-65 m<sup>3</sup>/h

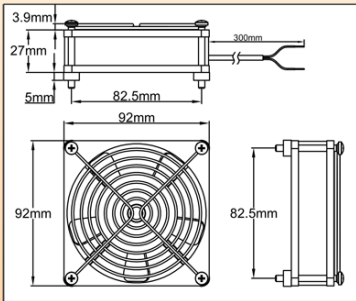
**Température maxi:** -10+70°C

**Body:** aluminum

Rear mounting with four M4 screws

Includes a protective guard.

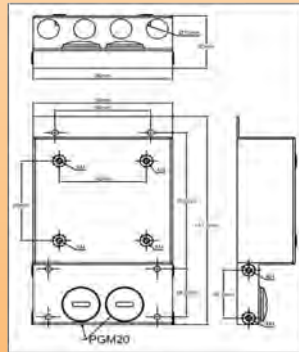
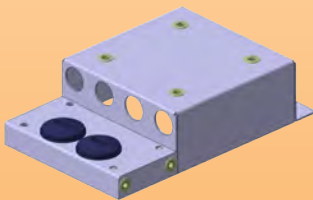
Use of this fan without guard does not allow wall mounting, but does not prevent from a side by side coupling with other boxes.



Reference	Description
6YFAN9223000	230/240V fan+ guard + 4 screws

Contact us for 120V models

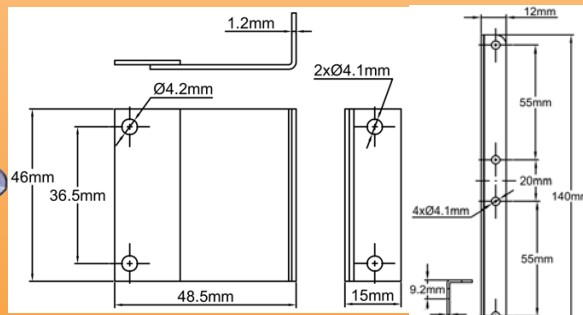
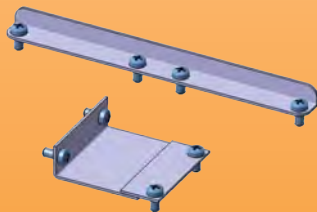
## Protection cover, 40 mm thickness, protects the fan against weather in outdoor use



- For side by side mounting on other boxes, using the below coupling brackets.
- For wall mounting with standard wall mounting bracket kits (see page 36).
- For pipe mounting with standard pipe mounting stands (see page 55-56) but it generates a 15mm offset.

Reference	Description
6YFAN92230SS	

## Coupling brackets for boxes with weather protected



FFor side by side mounting of box equipped with a weather protected fan on an other box of the same dimensions

Reference	Description
6YMLIK90140	

## Safety thermostats for solid state relays (SSR)

**Rating:** 250VAC 16A

**Connections:** 6.35 x 0.8 vertical terminals

**Mounting:** loose bracket, two holes 23.8 mm spacing, for surface mount with 2 M3 screws

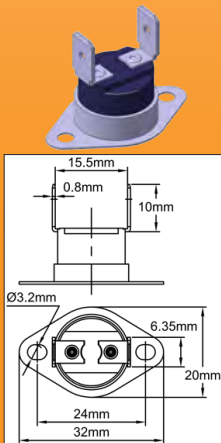
Depending on the application of the thermostat, the contacts can open on temperature rise or close on temperature rise

**Application examples :**

1/ Opens on rise at 90°C: cutoff of the control circuit of solid state relays if the heat exchange is insufficient. Automatic restart when the temperature drops to 80 °C

2/ Closes on temperature rise at 80°C: high alarm safety, Contact re-opens when the temperature drops to 70°C. Designed to control an external alarm and/or an alarm indicator light on the box.

3/ Closes on temperature rise at 70°C: switches on the ventilation or an alarm if the temperature goes over 70°C. The ventilation is switched off when the temperature drops below 60°C



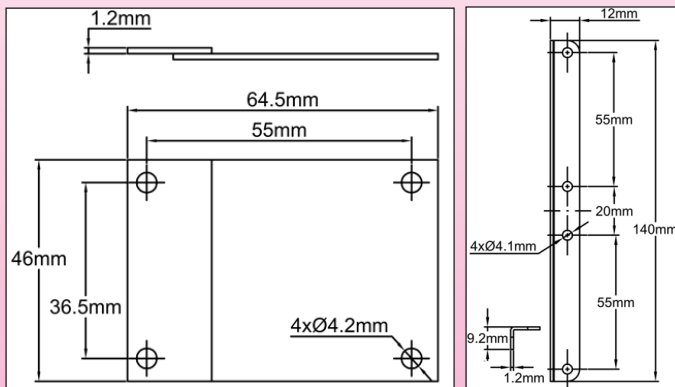
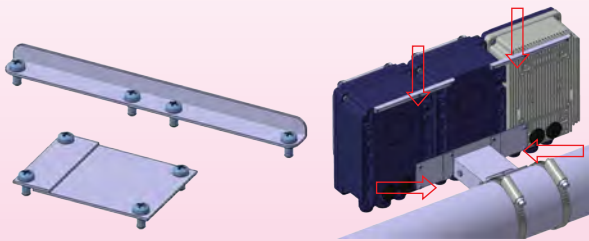
References	Opens	Closes	Notes
4903EJ09010DL6VM	90+/-4°C	80+/-5°C	Opens on temperature rise
4903EK08010DL6VM	70+/-5°C	80+/-4°C	Closes on temperature rise
4903EK07010CL6VM	60+/-4°C	70+/-3°C	Closes on temperature rise

Many other available set points, contact us

Because of permanent improvement of our products, drawings, descriptions, features used on these data sheets are for guidance only and can be modified without prior advice



## Coupling brackets



### Coupling brackets for side-by-side boxes on the same heat-tracing stand

This all stainless steel accessory allows the mounting of two or three boxes side by side on the same stand, including SSR boxes with or without a fan.

#### Application examples :

2 boxes :

- Control + SSR power control
- Control + distribution box
- Control + breaker box

3 boxes :

- Control + SSR power control + breaker box
- Control + SSR power control + distribution box
- Control + breaker box + distribution box

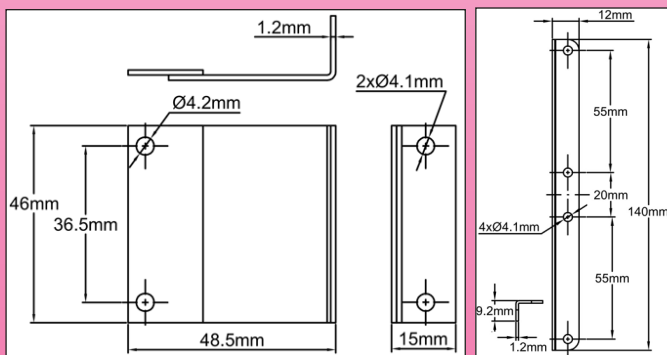
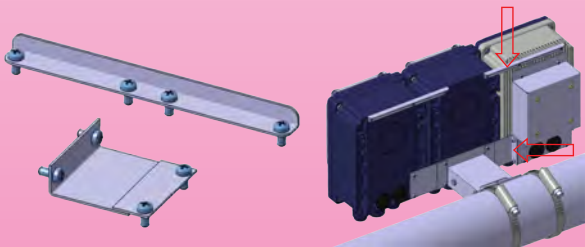
**Not suitable for mounting next to a SSR box with fan and fan guard.**

**Kit composition:** one bottom bracket, one top bracket + 8 screws

Two sets are required if 3 units are mounted side by side

Reference	6YMLK140012F
-----------	--------------

## Coupling bracket set for coupling a SSR box with fan and fan guard and another box



Allows the coupling of a box with forced ventilation and a standard box.

**Kit composition:** one bottom bracket, one top bracket + 8 screws

Reference	6YMLK140012L
-----------	--------------