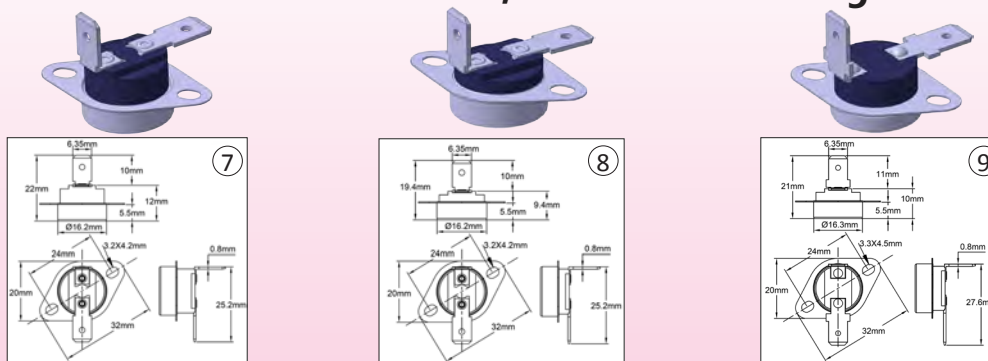
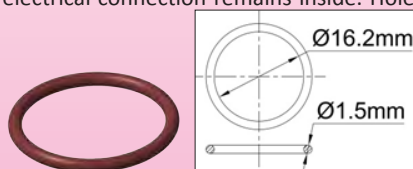


Antifreeze thermostat, throw wall mounting



Anti-freeze thermostat, for trough wall mounting on junction or connection boxes, 6.3 x 0.8 tab terminals. Aluminum temperature sensing extended cup. Contact opens on temperature rise. The temperature sensing part of the thermostat is located outside the box, and the electrical connection remains inside. Hole drill: dia 16.4 mm

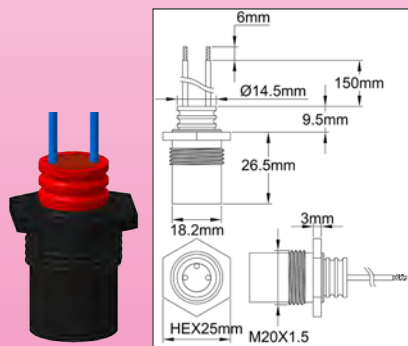


| Reference | Open (°C) | Close (°C) | Rating (250VAC) | Type |
|------------------|-----------|------------|-----------------|------|
| 4903EJ01006CL6MF | 10+/-3 | 4+/-3 | 16A | 7 |
| 4911NP01006CL6MF | 10+/-3 | 4+/-3 | 10A | 8 |
| 4993AZ01006CL6MF | 8+/-3 | 3+/-2.5 | 8 A | 9 |

Other set points, terminals or brackets: contact us
Accessories: Kit including an NBR O-ring and two M3 screws for trough wall mounting on plastic and aluminum housings

| Reference | 6YGA162015N |
|-----------|-------------|
| | |

Thermostats front thread mounting M20 bolt



Anti-freeze thermostat with M20x1.5 front fitting

The thread of this thermostat allows to screw it inside a M20 x 1.5 fitting of heat tracing leg, or in any place designed for a M20x1.5 cable gland. It is equipped with a tip (diameter 14 mm, length 8 mm) to connect with the waterproof filling kit type G, if it is used at a greater distance from the box. (see assembling method on page 52)

Ingress protection : IP65

Mounting : M20 X 1.5 fitting

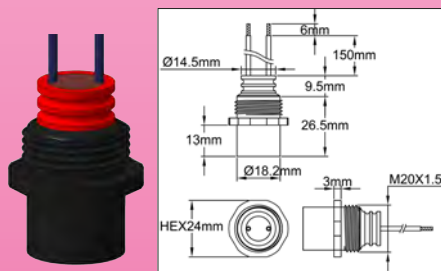
Connection: two AWG15 wires (1.5 mm²), blue color, FEP300V insulation, 2.6 mm dia., 150 mm length

Compatibility :

- with M20x1.5 fittings of the rear outlets on control boxes, connection boxes and SSR boxes
- with M20x1.5 fittings of through-insulation kits

| References | Open (°C) | Close (°C) | Rating (A) |
|------------------|-----------|------------|------------|
| 49JBAJ01006JVFC8 | 10+/-3 | 4+/-3 | 16A |
| 49JBAP01006JVFC8 | 10+/-3 | 4+/-3 | 10A |
| 49JBAZ00805HVFC8 | 8+/-3 | 3+/-2.5 | 8 A |

Waterproof thermostats back thread mounting M20 bolt



Anti-freeze thermostat with M20x1.5 back fitting (Protruding sensing element)

The thread of this thermostat allows to screw it inside a M20 x 1.5 fitting of heat tracing leg, or in any place designed for a M20x1.5 cable gland, with an outside protruding sensing element. It can also be used inside M20 tubular connection box. It is equipped with a tip (diameter 14 mm, length 8 mm) to connect with the waterproof filling kit type G, if it is used at a greater distance from the box. (see assembling method on page 52)

Protection : IP65

Mounting : M20 X 1.5 fitting

Connection: two AWG15 wires (1.5 mm²), blue color, FEP300V insulation, 2.6 mm dia., 150 mm length

Compatibility :

- with M20x1.5 fittings of the rear outlets on control boxes, connection boxes and SSR boxes
- with M20x1.5 fittings of through-insulation kits
- with M20 tubular connection boxes

| References | Open (°C) | Close (°C) | Rating (A) |
|------------------|-----------|------------|------------|
| 49JBBJ01006JVFC8 | 10+/-3 | 4+/-3 | 16A |
| 49JBPP01006JVFC8 | 10+/-3 | 4+/-3 | 10A |
| 49JBBZ00805HVFC8 | 8+/-3 | 3+/-2.5 | 8 A |

