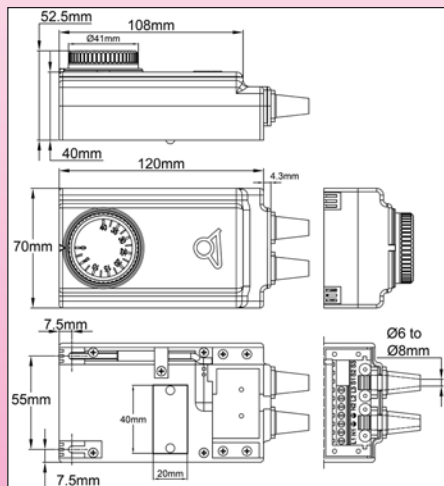


Antifreeze adjustable electromechanical thermostat, protected sensing element, IP54 housing



Enclosure : Light cream color PC-ABS (RAL1010), small footprint , can be hand held or wall mounted
Ingress protection rating: IP54 (IEC 60529)
Mechanical impact resistance: IK05 (EN 62262)
Flammability: UL94-V0
Electrical connection: on a closed screw terminals connection block cavity located backside, for wires gauge up to 2.5 mm². Cables are secured by a saddle retainer, and grommets. If needed, ground, neutral and phase can be connected in input and output.
Power inlet and outlet: throw grommets for cables dia 6 to 8 mm. Over-molded cables on request (MOQ applies)
Adjustment: by °C printed knob, with min or max position adjustment. °F printed knobs on request.
Temperature sensing bulb: The temperature sensing bulb is located backside, in a vented and protected cavity
Adjustment ranges: -35+35°C , 4-40°C,
Differential:
 -35+35: 3°C±2
 4-40°C: 3°C ±2
Mounting: Wall mounting, for screws dia 4 to 6 mm, 55 mm distance
Identification: Location backside for 20 x 40 mm identification label, adhesive or riveted
Electrical contact: SPDT 16A 250V
Wiring diagram :



Main references without cords

Temperature range	References *
-35+35°C	Y5T1BA70000CUAF2
4-40°C	Y5T1CA70000CUAF2

* This product is also produced with capillary output and temperature ranges: -35+35°C, 4-40°C, 30-90°C, 30-110°C, 50-200°C, 50-300°C

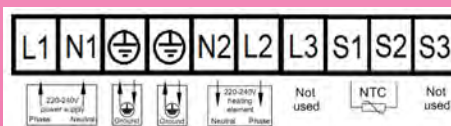
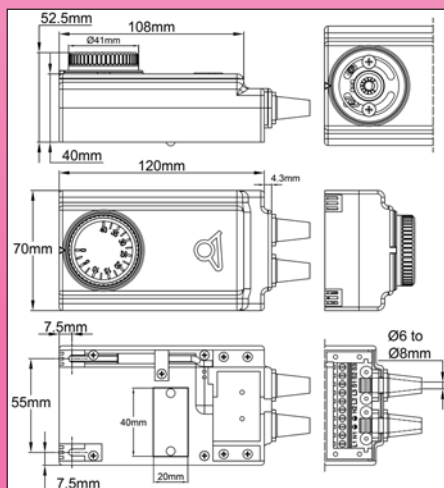
For more information about this product, ask for Y1-Y5 range catalogue

Electronic antifreeze protection devices, adjustable setting types

Antifreeze adjustable electronic thermostat, protected sensing element, adjustable differential, IP54 housing



Enclosure : Light cream color PC-ABS (RAL1010), small footprint , can be hand held or wall mounted
Ingress protection rating: IP54 (IEC 60529)
Mechanical impact resistance: IK05 (EN 62262)
Flammability: UL94-V0
Electrical connection: on a closed screw terminals connection block cavity located backside, for wires gauge up to 2.5 mm². Cables are secured by a saddle retainer, and grommets. Ground, neutral and phase can be connected in input and output.
Electrical inlet and outlet: throw grommets for cables dia 6 to 8 mm. Over-molded cables available on request (MOQ applies)
Adjustment: by °C printed knob, with min or max position adjustment. °F printed knobs on request.
Power supply: 90-250VAC, 50 or 60Hz
Temperature sensor: NTC sensor, located backside, in a vented and protected cavity
Adjustment ranges: -35+35°C , 0-10°C, 4-40°C,
Differential: adjustable by potentiometer located under the knob
Mounting: Wall mounting, for screws dia 4 to 6 mm, 55 mm distance
Identification: Location backside for 20 x 40 mm identification label, adhesive or riveted
Electrical contact: SPST 16A 250V - Electronic thermostat: SPST+ ground terminal. Open on rise or close on rise action can be set by switch located under the knob.
Wiring diagram :



Temperature range	References*
-35+35°C	Y5TM1AA0000CUCF2
0-10°C	Y5TM2AA0000CUCF2
4-40°C	Y5TM3AA0000CUCF2

* This product is also produced with remote sensor and temperature ranges: -35+35°C, 4-40°C, 0-10°C, 30-90°C, 30-110°C, 50-200°C, 50-300°C

For more information about this product, ask for Y1-Y5 range catalogue

Because of permanent improvement of our products, drawings, descriptions, features used on these data sheets are for guidance only and can be modified without prior advice

