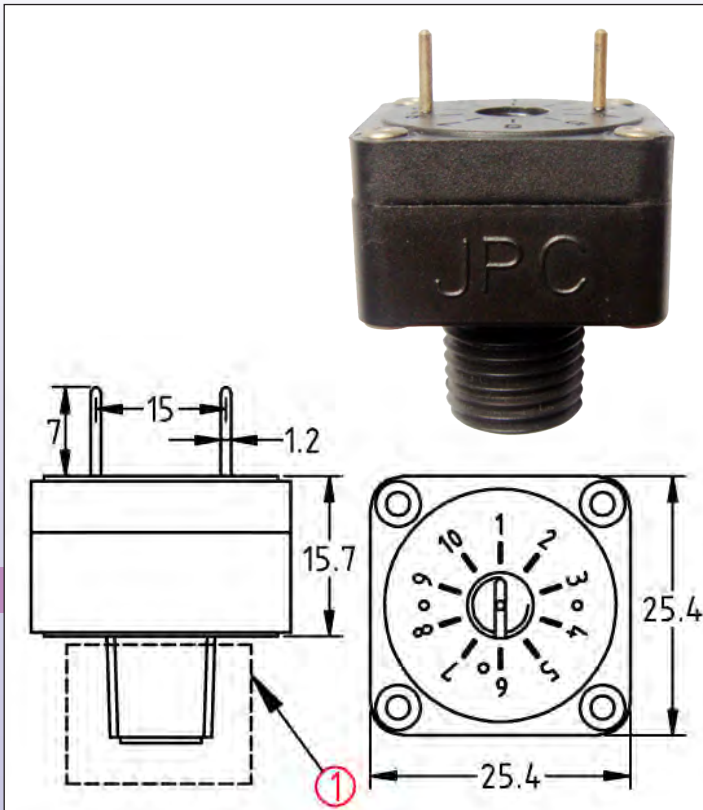


Slow action contact miniature pressure switches for printed circuit boards with 5 mm pitch, plastic fitting

SPNC contact : Modèle ZE

DIMENSIONS



Uses: Low voltage, high sensitivity

Main applications: Electronic printed circuit. This pressure switch is more sensible than snap action models and can be calibrated at lower pressure values. Very small differential.

Membranes: EPDM, dia 22 mm. Silicone or NBR on request

Fluid: water or air

Fitting: Plastic

Pressure: positive

Housing: PA66, UL94 VO

Contact: single pole normally closed, slow break.

Electrical rating:

- Silver contact: max 1A 250V

- Gold plated contact: max 100 mA, 24V

Action: momentary, open on pressure rise.

Set point calibration: factory calibrated and sealed, not field adjustable

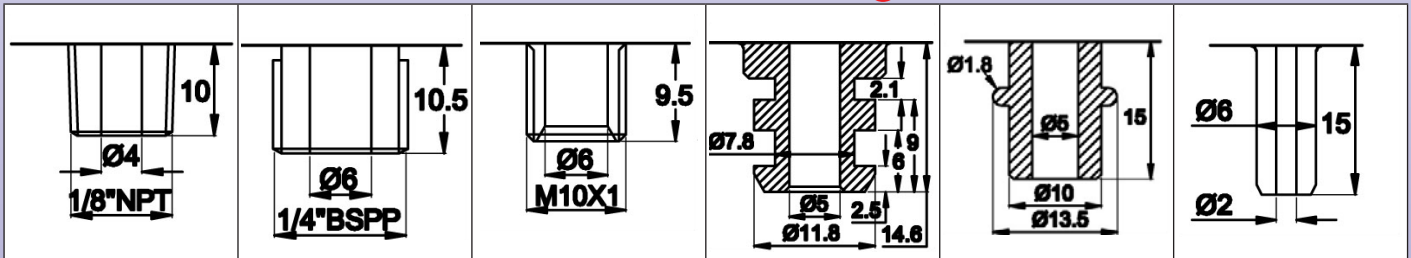
Set point calibration limits: standard calibration 50mbar, other values are achievable from 20 to 400 mbar

Electrical connection: printed circuit terminal, dia 1.2 mm, 15 mm spacing

Maximum pressure: 2 bars (29 PSI)

Ambient temperature limits: 0 to 85°C

Available pressure inlet fittings ①



References (with calibration at 50 mbar):

Pressure inlet	Silver contact	Gold plated contact
1/8" NPT	ZE2X18L105000000	ZE2X18LG050000000
1/4" BSPP	ZE2X1QL105000000	ZE2X1QLG050000000
M10 x 1	ZE2X1ML105000000	ZE2X1MLG050000000
Snap in fitting, 2 grooves dia 7.8	ZE2X1TL105000000	ZE2X1TLG050000000
Snap in fitting, 1 groove dia 10	ZE2X1ZL105000000	ZE2X1ZLG050000000
Snap in fitting, 1 spout dia 6 mm	ZE2X1AL105000000	ZE2X1ALG050000000

Other set point values: replace 050 in the product reference by the requested value in mbar