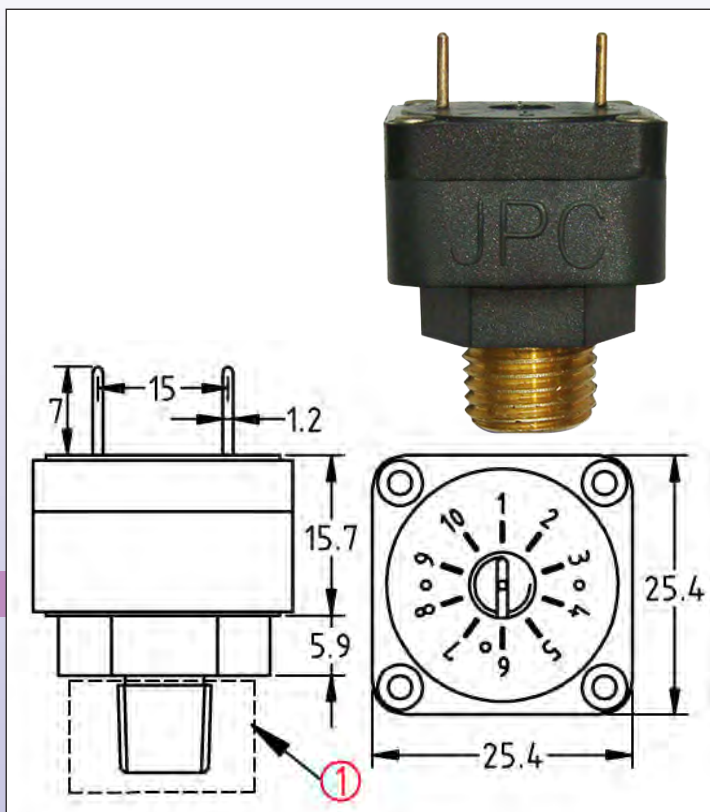


# Slow action contact miniature pressure switches for printed circuit boards with 5 mm pitch, metal fitting

## SPNC contact : Type ZE

### DIMENSIONS



**Uses:** Low voltage, high sensitivity

**Main applications:** Electronic printed circuit. This pressure switch is more sensible than snap action models and can be calibrated at lower pressure values. Very small differential.

**Membranes:** EPDM, dia 22 mm. Silicone or NBR on request

**Fluid:** water or air

**Fitting:** Brass (stainless steel on request)

**Pressure:** positive

**Housing:** PA66, UL94 VO

**Contact:** single pole normally close, slow break.

**Electrical rating:**

- Silver contact: max 1A 250V

- Gold plated contact: max 100 mA, 24V

**Action:** momentary, open on pressure rise.

**Set point calibration:** factory calibrated and sealed, not field adjustable

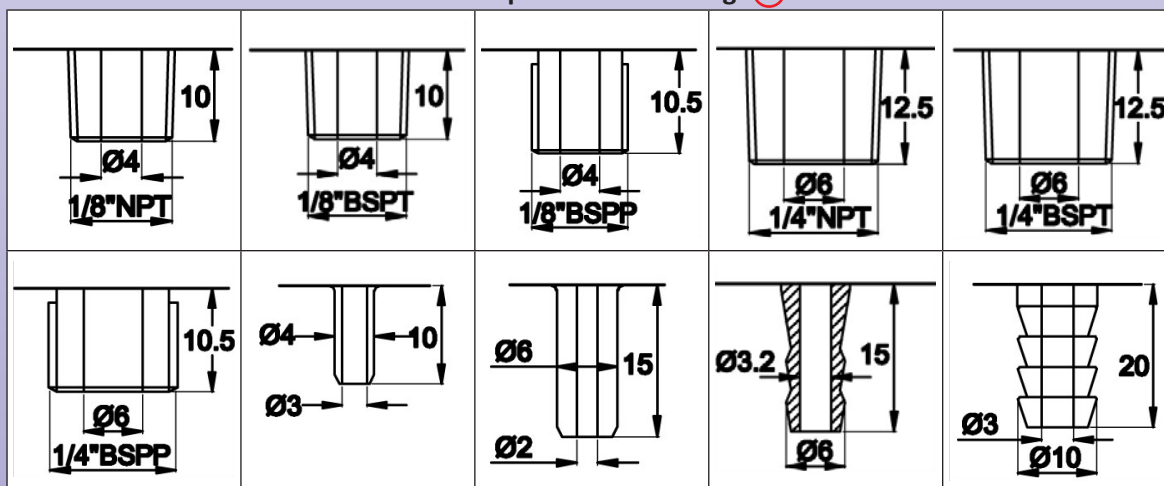
**Set point calibration limits:** standard calibration 50mbar, other values are achievable from 20 to 400 mbar

**Electrical connection:** printed circuit terminal, dia 1.2 mm, 15 mm spacing

**Maximum pressure:** 2 bars (29 PSI)

**Ambient temperature limits:** 0 to 85°C

### Available pressure inlet fittings ①



References ( with calibration at 50 mbar and brass fitting):

Pressure inlet	Silver contact	Gold plated contact
1/8" NPT	ZE2X1RL105000000	ZE2X1RLG050000000
1/8" BSPT	ZE2X1PL105000000	ZE2X1PLG050000000
1/8" BSPP	ZE2X1LL105000000	ZE2X1LLG050000000
1/4" NPT	ZE2X1CL105000000	ZE2X1CLG050000000
1/4" BSPT	ZE2X1SL105000000	ZE2X1SLG050000000
1/4" BSPP	ZE2X12L105000000	ZE2X12LG050000000
Smooth spout dia 4 mm	ZE2X13L105000000	ZE2X13LG050000000
Spout dia 6 mm	ZE2X17L105000000	ZE2X17LG050000000
Fluted spout dia 6 mm	ZE2X1JL105000000	ZE2X1JLG050000000
Barbed spout dia 10 mm	ZE2X19L105000000	ZE2X19LG050000000

Other set point values: replace 050 in the product reference by the requested value in mbar