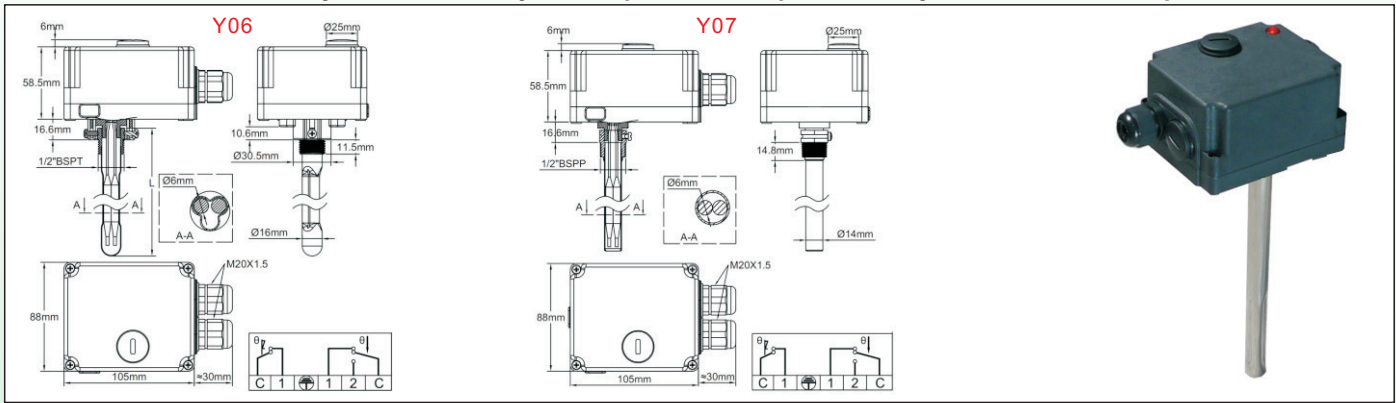


## 2015 New products

# Combination of adjustable set point thermostat and manual reset high limit, IP54 commercial housing, types **Y06** (With 1/2" BSPT nickel plated brass pocket) and **Y07** (AISI 304 pocket, 1/2" BSPP)



### Main applications:

Temperature control and safety on storage water heaters, solar heating tanks, boilers

**Housing:** IP54, 105 x 88 x 58.5 mm, (Cap, accessories and cable gland not included), black PC-ABS, UL94V0. High impact and UV resistance.

Product including an adjustable temperature control thermostat and a fixed setting high limit manual reset thermostat. Manual reset has access from outside, by removing a cap.

**Electrical input:** two M20 cable glands.

**Temperature Adjustment:** Inside, with °C printed knob. (°F printed knobs available in option)

**Sensing element:** Liquid filled bulb, located inside a backside mounted nickel plated brass pocket.

**Adjustment ranges:** 0-60°C (32-140°F); 30-90°C (85-195°F); 30-110°C (90-230°F)

**Pocket length (L):** 205mm (standard), 170, 300, 450 and 600mm on request

**Electrical connections:** screw terminals

### Mounting:

-**Y06:** by the 1/2" BSPT (taped) brass pocket fitting

-**Y07:** by the 1/2" BSPP (parallel) brass pocket fitting

**Control thermostat contact:** SPDT

-Open on temperature rise contact (C-1) 16A(2.6) 250VAC

-Close on temperature rise contact (C-2) 6A(0.6) 250VAC

-Electrical life > **100.000 cycles**.

**Manual reset thermostat contact:** **Failsafe**, open by temperature rise; 16A (2,6) 250V alt.

### Options:

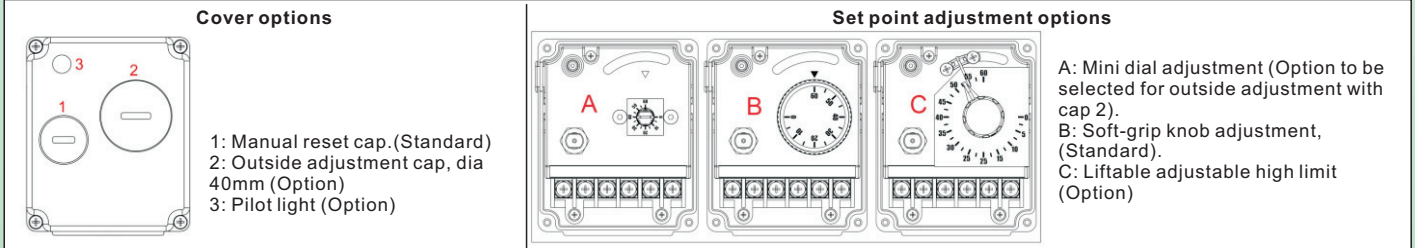
-Power supply "energized" pilot light (Neutral is mandatory, and thermostat contact is open on rise only, not SPDT). Other pilot light wirings are possible on request.

-Liftable adjustable high end adjustment on control thermostat.

- Outside access to the control thermostat adjustment (By removing a 40mm dia. cap)

-Thermal cut out incorporated inside the pocket.

-These products can be made without pocket, for special customer applications and incorporation



## Main references (with 205mm pocket)

Temperature ranges °C (°F)	Manual reset calibration °C (°F)	Cap access manual reset	Cap access manual reset, liftable adjustable high stop	Cap access manual reset, liftable adjustable high stop, power supply "on" pilot (230V)	Differential °C (°F)	Max temperature on rod °C (°F)
0-60°C (32-140°F)	80°C (176°F)	Y06MS00060A20080	Y06ME00060A20080	Y06NE00060C20080	4±3 (7±5.5°F)	90 (195°F)
30-90°C (85-195°F)	110°C (230°F)	Y06MS30090A20110	Y06ME30090A20110	Y06NE30090C20110	4±3 (7±5.5°F)	120 (250°F)
30-110°C (90-230°F)	130°C (266°F)	Y06MS30110A20130	Y06ME30110A20130	Y06NE30110C20130	5±3 (9±7°F)	150 (300°F)

Aisi 304 pocket: replace Y06 by Y07. Versions with °F printed knobs: replace S by T or E by G in the reference

## Knob and dial printings

Type	°C Printing			°F Printing		
	0-60°C	30-90°C	30-110°C	32-140°F	85-195°F	90-230°F
Standard softgrip knob						
Miniature knob dial for outside adjustment						
Adjustable stop big dial						