

2015 New products

PA66 enclosures for immersion heaters

Types Y301UC2EA2, Y307E, Y308E

Applications

Immersion heater connections


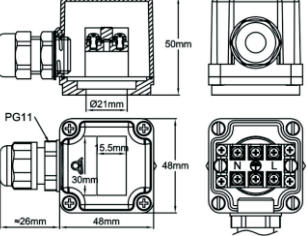

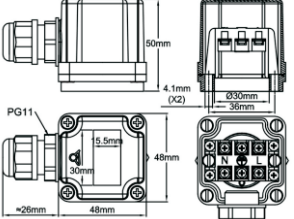

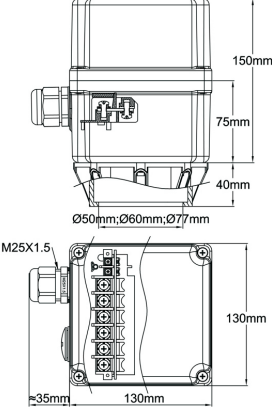

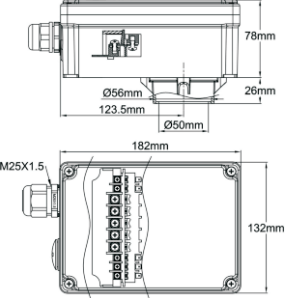

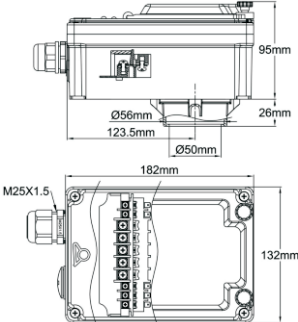
Main common features

Housing: IP54, black PA66, fiberglass reinforced, UL94V0. High impact and UV resistance. They have a silicone foam cover gasket.

Cable gland: PA66.

Immersion heater fittings:

The connection boxes below are compatible with the range of immersion heater fittings from 1" up to M77x2, described in our catalog No. 2, with double mounting thread, or single thread and internal plate. As with most existing fittings available on the market.

		<p>Designed for receiving cartridge heaters up to 16mm O.D., this miniature enclosure features a built-in 3x2.5mm² connection block and a PG11 cable gland mounted on a removable plate, these two features making the connection easier to the user.</p> <p>The mounting on cartridge heaters is made by screwing an internal nut on a 1/2" thread. It is also compatible with single tube cartridge heaters used in thermal fluid heaters with external 1" thread, and internal 1/2".</p> <p>Reference Y301UC2EA2C300GA</p>						
		<p>Designed to be mounted on immersion heaters with 1" thread by two M4 screws, 36 mm distance, this miniature enclosure features a built-in 3x2.5mm² connection block and a PG11 cable gland mounted on a removable plate, these two features making the connection easier to the user.</p> <p>Reference Y301UC2EA3C300GA</p>						
		<p>Designed for receiving instrumentation, this enclosure has an extension of 40mm for a thermal insulation bushing. It is made with dia. 50, 60 and 77 mm mounting holes for 1 1/2" 2" and up to M77x2 fittings. It includes slides for printed circuits, 4 holes for DIN rail or PCB mounting and is equipped with a 6 x 10mm² terminal for power connection and 2 x 2.5mm² for auxiliary. It can accommodate one or two power contactors (Rating up to 32amp AC3), a control thermostat, a temperature limiter, two 16mm diameter indicator lights and one on-off switch. One M25 cable gland and one M25 plug are mounted on a removable plate for easy access to the terminal block.</p> <p>Main references</p> <table border="1" data-bbox="975 1274 1337 1346"> <tbody> <tr> <td>Drilling dia 50</td> <td>Y307EN1EA5 CB00GA</td> </tr> <tr> <td>Drilling dia 60</td> <td>Y307EN1EA6 CB00GA</td> </tr> <tr> <td>Drilling dia 77</td> <td>Y307EN1EA7 CB00GA</td> </tr> </tbody> </table>	Drilling dia 50	Y307EN1EA5 CB00GA	Drilling dia 60	Y307EN1EA6 CB00GA	Drilling dia 77	Y307EN1EA7 CB00GA
Drilling dia 50	Y307EN1EA5 CB00GA							
Drilling dia 60	Y307EN1EA6 CB00GA							
Drilling dia 77	Y307EN1EA7 CB00GA							
		<p>Designed for receiving instrumentation, this enclosure has an extension of 26mm for a thermal insulation bushing. It can be mounted on immersion heaters by a 50mm dia. hole for 1"1/2 fittings or M45x2. It has also a 5 x 6 mm² terminal for power connection and 5 x 2.5mm² for auxiliary. One M20 cable gland and one M20 plug are mounted on a removable plate for easy access to the terminal block.</p> <p>Reference Y308EN1EA5CA00GA</p>						
		<p>Designed for receiving instrumentation, this enclosure has an extension of 26mm for a thermal insulation bushing. It can be mounted on immersion heaters by a 50mm dia. hole for 1"1/2 fittings or M45x2. It has also a 5 x 6 mm² terminal for power connection and 5 x 2.5mm² for auxiliary. One M25 cable gland and one M25 plug are mounted on a removable plate for easy access to the terminal block.</p> <p>It has a cover with transparent polycarbonate window for easy and sealable opening. It can receive all electronic control and mechanical thermostat controls of the Y8 series that can be found in our catalog No. 3</p> <p>Reference Y308EN1AA5CA00GA</p>						