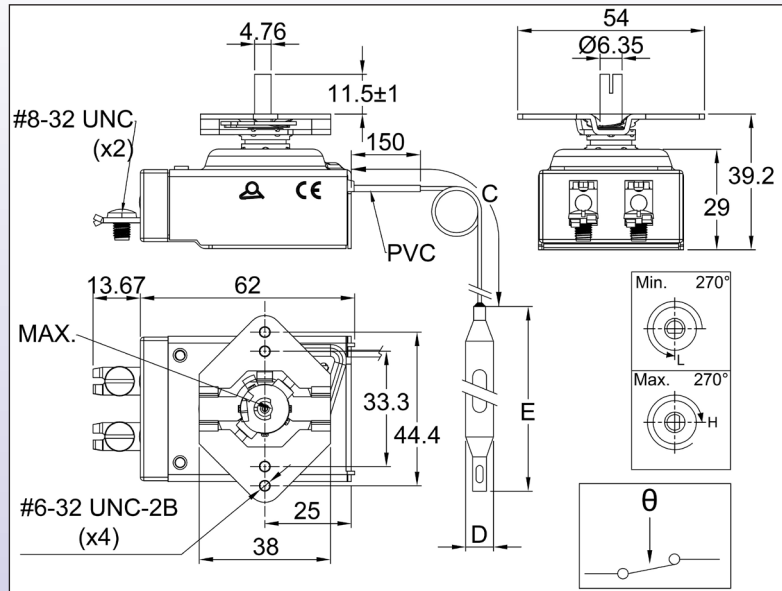


8H type: Single pole high rating (30A) bulb and capillary thermostats

DIMENSIONS



TECHNICAL FEATURES

- Applications:** High rating single pole control, for catering equipment, domestic heaters,
- Housing dimensions:** 61 x 42 x 39.5 mm (without the terminals)
- Material:** metal /ceramic housing, stainless steel bulb and capillary. Capillary minimum bending radius 5 mm. 150 mm PVC sleeve on capillary
- Temperature sensing element:** liquid filled bulb and capillary. Special capillary length from 300 mm to 3000 mm on request (MOQ apply)
- Terminals:** 2 screws, UNC 8-32
- Adjustment:** dia. 6.35 mm (1/4") shaft, 11.5 mm length, 270° mechanical rotation other lengths, rotation or fixed setting available on request (MOQ apply).
- Mounting:** front bracket with 4 tapped holes (#6-32 UNC-2B), 33.3 and 44.4 mm distance
- Rating:** 30A 250/400VAC, resistive
- Contacts:** 1 normally closed snap action contacts, double break, open on rise.
- Option:** back fixing bracket
- Max ambient temperature on housing:** 85°C/185°F
- Accessories:** dia. 50 mm knobs printed in °C or °F
- Approvals:** comply with EN 60730-1 and EN 60730-2 standards

Main references

References	Temperature range (°C/°F)	Capillary length (mm)	Bulb diameter (mm)	Bulb length (mm)	Differential (°C/°F)	Max temperature on bulb (°C/°F)
8HQ004040A06A001	4-40°C (40-105°F)	1500	6	215	4±2°C / 7±3.6 °F	43°C/110°F
8HQ030090A06A001	30-90°C (85-195°F)	1500	6	130	5±3(41±37.4°F)	100°C/212°F
8HQ030110A06A001	30-110°C (85-230°F)	1500	6	120	14±3/57.2±37.4°F)	250°C/482°F
8HQ050200A06A001	50-200°C (120-390°F)	1500	6	75	17±3/62.6±37.4°F)	250°C/482°F
8HQ050000A06A001	50-300°C (120-570°F)	1500	6	75	17±3/62.6±37.4°F)	310°C/590°F

Main knobs

Knob dimensions	°C printed knobs				
	4-40°C	30-90°C	30-110°C	50-200°C	50-300°C
	66MP0060040402FW	66MP0060300901FW	66MP0060301101FW	66MP0060502001FW	66MP0060503001FW
	°F printed knobs				
	40-105°F	85-195°F	85-230°F	120-390°F	120-570°F
	66MP0060040402FX	66MP0060300901FX	66MP0060301101FX	66MP0060502001FX	66MP0060503001FX

Many other knobs are available, see the full knobs list at end of this catalogue.

Because of permanent improvement of our products, drawings, descriptions, features used on these data sheets are for guidance only and can be modified without prior advice

Unless exceptionally specified by this logo, products and components in this catalogue are made by Ultimheat alliance members.

