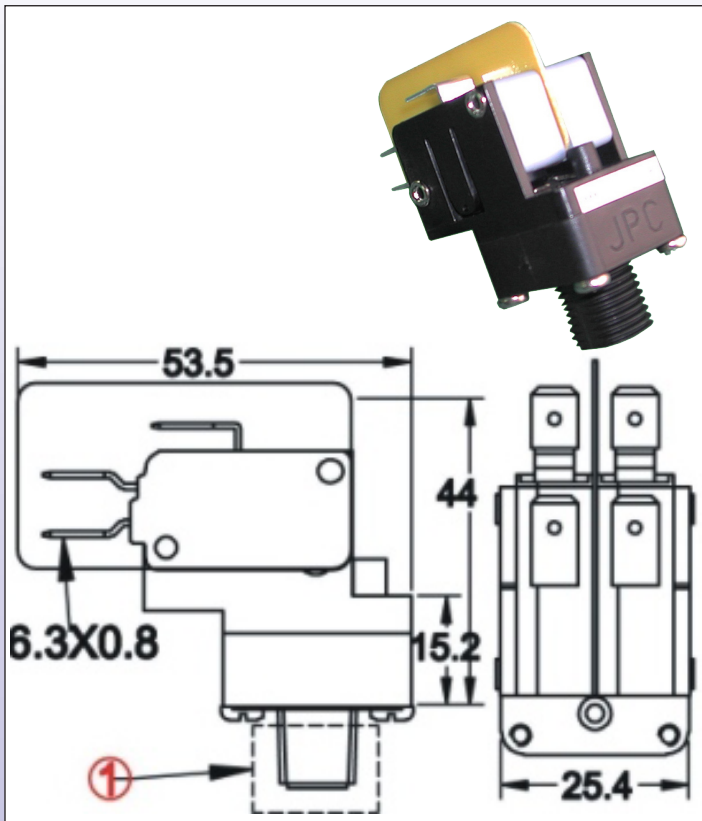


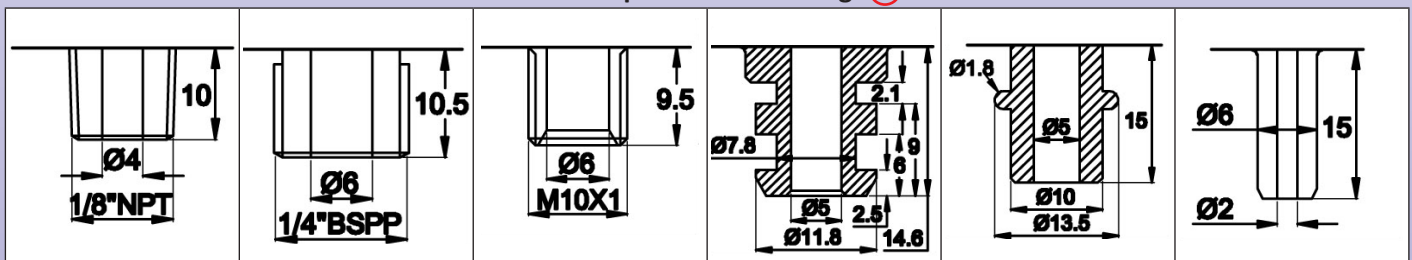
# Snap action double pole contact miniature pressure switch, plastic fitting. DPDT contact : Type ZW

## DIMENSIONS



**Uses:** High electrical rating, for 250V .  
**Main applications:** Pressure sensing on water heaters, boilers, and electrical appliances.  
**Membranes:** EPDM, dia 22 mm. Silicone or NBR on request  
 Double membrane on request.  
**Fluid:** water or air  
**Fitting:** Plastic  
**Pressure:** positive  
**Housing:** PA66, UL94 VO  
**Contact:** DPDT, snap action. NO or NC contacts available with MOQ  
**Electrical rating:** Depends on microswitch operating force that is linked to the electrical rating  
 - Standard rating micro-switch (medium and high pressure calibration only): 16A 125/250VAC; 1/2HP 125VAC; 3/4HP 250VAC  
 - High rating micro-switch (medium and high pressure calibration only): 2HP 240V, 21(8) A 240V (UL, CSA VDE switch)  
 - Low force micro-switch (set points less than 200 mbar): 1/4HP 6(1) A 240V ( UL, CSA VDE switch)  
 - On request: up to 25A 250V  
**Action:** momentary.  
**Set point calibration:** factory calibrated and sealed, not field adjustable. On request it is possible to have staggered calibration  
**Set point calibration limits:** from 100 to 1500 mbar  
**Electrical connection:** 6.35 x 0.8 mm quick connect terminals  
**Maximum pressure:** 4 bars (58 PSI)  
**Ambient temperature limits:** 0 to 85°C

Available pressure inlet fittings ①



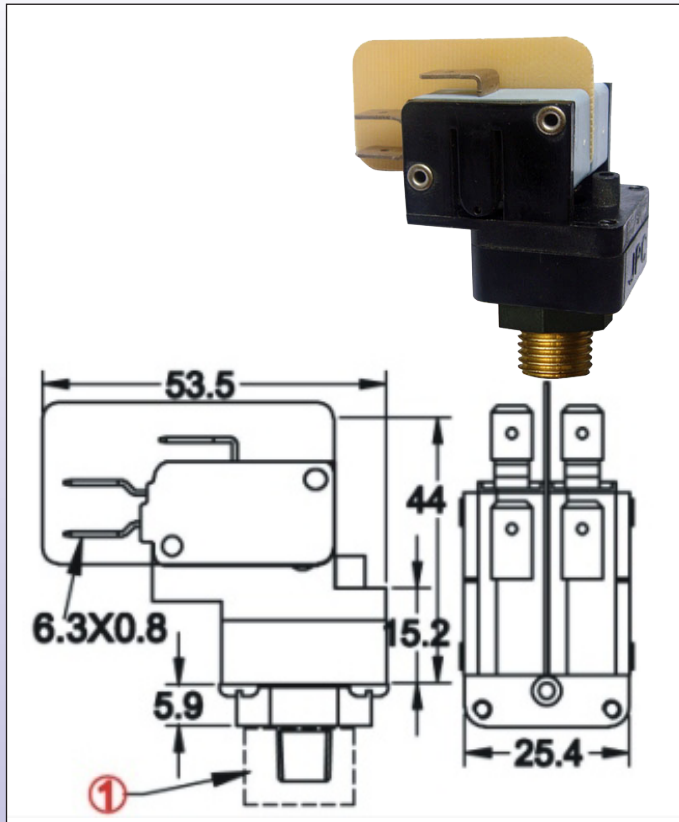
References ( with SPDT contact):

Pressure inlet	Standard rating micro- switch (Calibration : 800 mbar)	Low pressure micro-switch (Calibration 150 mbar)	High rating micro-switch (Calibration 800 mbar)
1/8" NPT	ZW2K28U1UH000000	ZW2728U50A500000	ZW2K28U6UH000000
1/4" BSPP	ZW2K2QU1UH000000	ZW272QU50A500000	ZW2K2QU6UH000000
M10 x 1	ZW2K2MU1UH000000	ZW272MU50A500000	ZW2K2MU6UH000000
Snap in fitting, 2 grooves dia 7.8	ZW2K2TU1UH000000	ZW272TU50A500000	ZW2K2TU6UH000000
Snap in fitting, 1 groove dia 10	ZW2K2ZU1UH000000	ZW272ZU50A500000	ZW2K2ZU6UH000000
Snap in fitting, 1 spout dia 6 mm	ZW2K2AU1UH000000	ZW272AU50A500000	ZW2K2AU6UH000000
	Other set point values: replace H00 in the product reference by the requested value in mbar	Other set point values: replace A50 in the product reference by the requested value in mbar	Other set point values: replace H00 in the product reference by the requested value in mbar



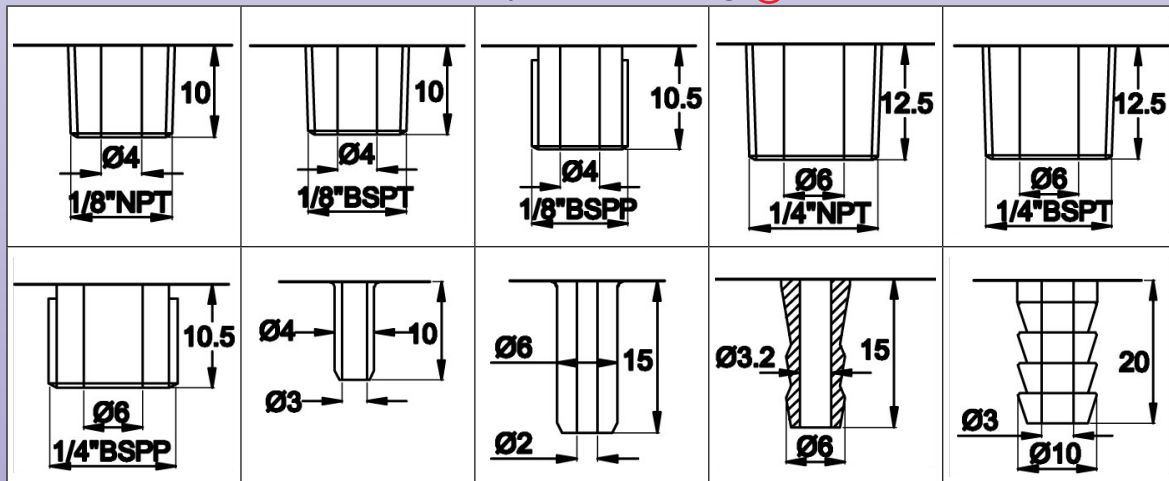
# Snap action double pole contact miniature pressure switch, metal fitting. DPDT contact : Type ZW

## DIMENSIONS



**Uses:** High electrical rating, for 250V.  
**Main applications:** Pressure sensing on water heaters, boilers, and electrical appliances. Membranes: EPDM, dia 22 mm. Silicone or NBR on request. Double membrane on request.  
**Fluid:** water or air  
**Fitting:** Brass (stainless steel on request)  
**Pressure:** positive  
**Housing:** PA66, UL94 VO  
**Contact:** DPDT, snap action. NO or NC contacts available with MOQ  
**Electrical rating:** Depends on micro-switch operating force that is linked to the electrical rating  
 - Standard rating micro-switch (medium and high pressure calibration only): 16A 125/250VAC; 1/2HP 125VAC; 3/4HP 250VAC  
 - High rating micro-switch (medium and high pressure calibration only): 2HP 240V, 21(8) A 240V (UL, CSA VDE switch)  
 - Low force micro-switch (set points less than 200 mbar): 1/4HP 6(1) A 240V (UL, CSA VDE switch)  
 - On request: up to 25A 250V  
**Action:** momentary.  
**Set point calibration:** factory calibrated and sealed, not field adjustable. On request it is possible to have staggered calibration  
**Set point calibration limits:** from 100 to 1500 mbar  
**Electrical connection:** 6.35 x 0.8 mm quick connect terminals  
**Maximum pressure:** 4 bars (58 PSI)  
**Ambient temperature limits:** 0 to 85°C

### Available pressure inlet fittings ①



### References ( with SPDT contact ):

Pressure inlet	Standard rating micro- switch (Calibration : 800 mbar)	Low pressure micro-switch (Calibration 150 mbar)	High rating micro-switch (Calibration 800 mbar)
1/8" NPT	ZW2K2RU1UH000000	ZW272RU50A500000	ZW2K2RU6UH000000
1/8" BSPT	ZW2K2PU1UH000000	ZW272PU50A500000	ZW2K2PU6UH000000
1/8" BSPP	ZW2K2LU1UH000000	ZW272LU50A500000	ZW2K2LU6UH000000
1/4" NPT	ZW2K2CU1UH000000	ZW272CU50A500000	ZW2K2CU6UH000000
1/4" BSPT	ZW2K2SU1UH000000	ZW272SU50A500000	ZW2K2SU6UH000000
1/4" BSPP	ZW2K22U1UH000000	ZW2722U50A500000	ZW2K22U6UH000000
Smooth spout dia 4 mm	ZW2K23U1UH000000	ZW2723U50A500000	ZW2K23U6UH000000
Spout dia 6 mm	ZW2K27U1UH000000	ZW2727U50A500000	ZW2K27U6UH000000
Fluted spout dia 6 mm	ZW2K2JU1UH000000	ZW272JU50A500000	ZW2K2JU6UH000000
Barbed spout dia 10 mm	ZW2K29U1UH000000	ZW2729U50A500000	ZW2K29U6UH000000
	Other set point values: replace H00 in the product reference by the requested value in mbar	Other set point values: replace A50 in the product reference by the requested value in mbar	Other set point values: replace H00 in the product reference by the requested value in mbar

